

Jet caps, galvanised

Technical catalogue: Duct systems
 Section: 08
 Page: 1/3
 Revised: 01.01.2004

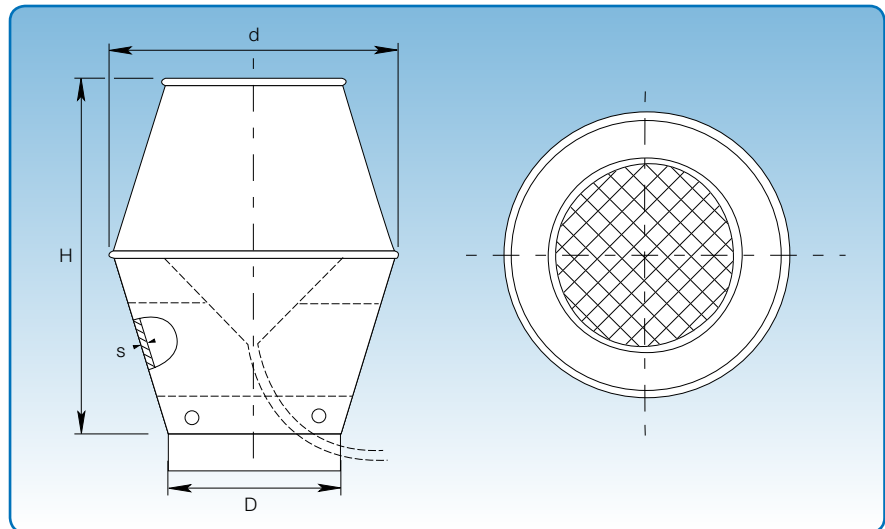
Diameter: $\phi 80 - \phi 1000$ mm.

JKF's jet caps are supplied with the same assembly methods as the duct systems.

The jet caps from diameters $\phi 700 - \phi 1000$ mm are as standard supplied with flange.

The jet caps are equipped with inside cone with water outlet.

The pressure drop curves are shown on the next page.



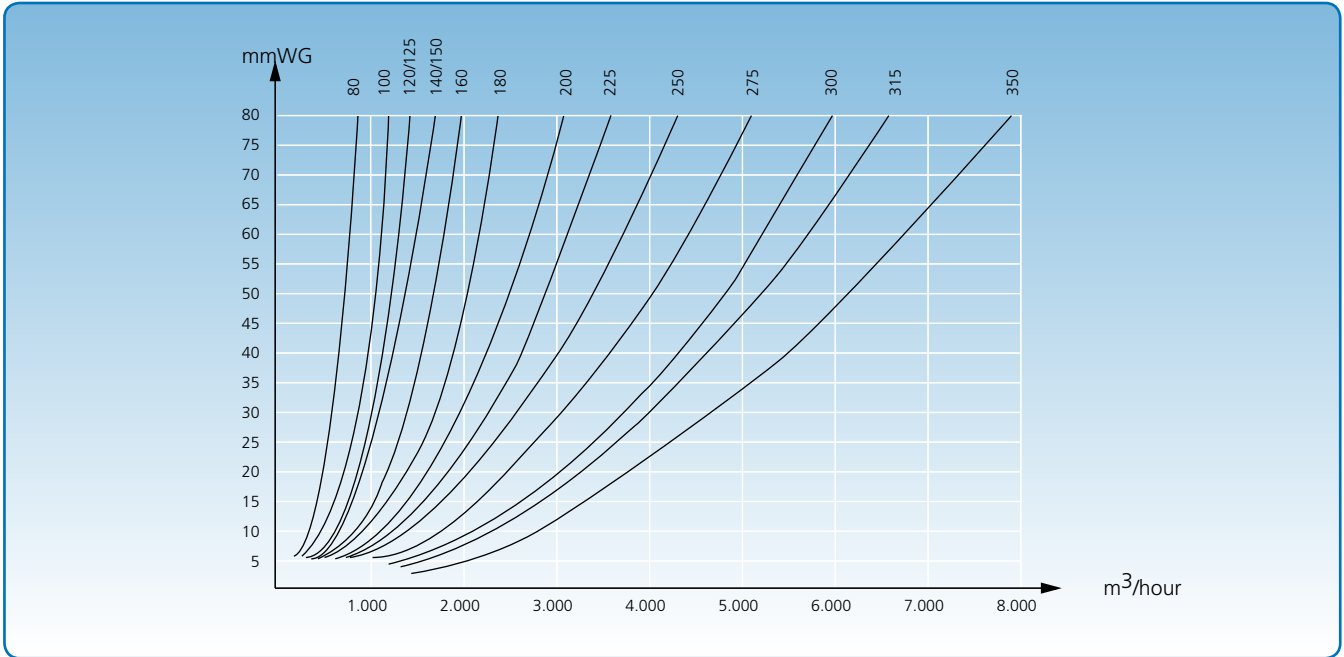
Dimensional specifications are given in the table below.

Dimensional specifications					
D mm	d mm	s mm	H mm	Weight kg	
80	140	0,75	260	1,0	
100	165	0,75	280	1,5	
120	185	0,75	325	1,8	
125	195	0,75	340	2,0	
140	215	0,75	365	2,3	
150	230	0,90	390	2,5	
160	245	0,90	410	3,0	
180	275	0,90	445	3,5	
200	305	0,90	490	4,0	
225	345	0,90	535	5,0	
250	380	0,90	590	6,0	
275	420	0,90	640	7,0	
300	460	0,90	690	8,0	
315	480	0,90	720	9,0	
350	535	0,90	785	10,0	
400	610	0,90	885	15,0	
450	690	0,90	985	18,0	
500	765	0,90	1095	24,0	
550	840	0,90	1200	29,0	
600	915	0,90	1300	32,0	
630	960	0,90	1360	35,0	
650	990	0,90	1390	37,0	
700	1070	1,25	1505	58,5	
750	1145	1,25	1595	67,0	
800	1220	1,25	1695	75,5	
850	1295	1,25	1795	86,0	
900	1375	1,25	1900	96,0	
950	1450	1,25	1975	105,0	
1000	1525	1,25	2000	117,0	

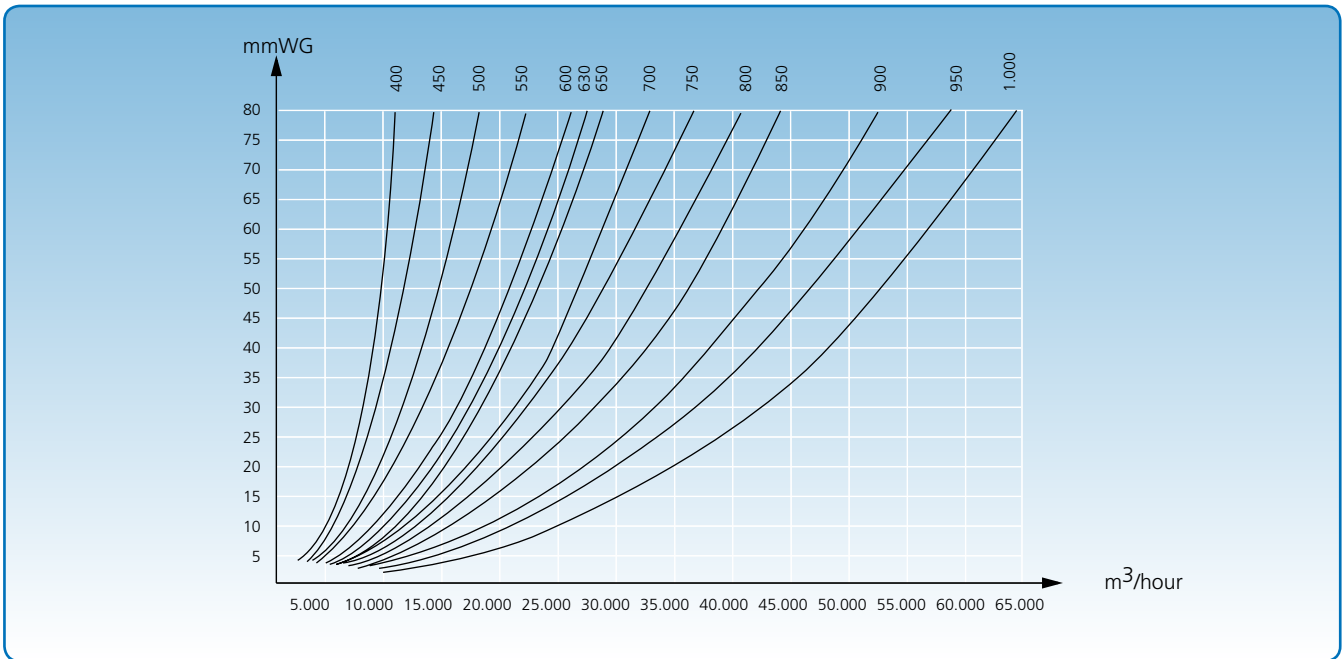
Jet caps, galvanised

Technical data

Technical catalogue: Duct systems
Section: 08
Page: 2/3
Revised: 01.01.2004



Pressure drop curves for diameter ø80 – ø350 mm.



Pressure drop curves for diameter ø400 – ø1000 mm.

Rain caps, galvanised

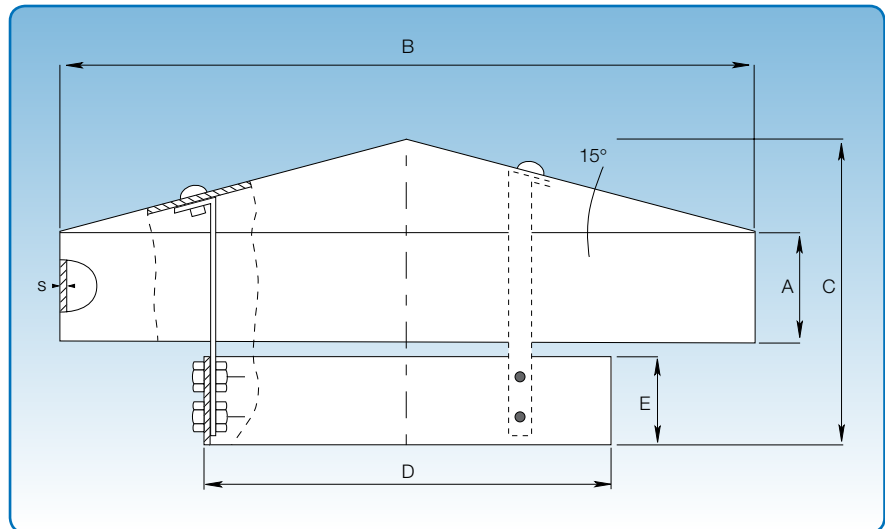
Technical catalogue: Duct systems
 Section: 08
 Page: 3/3
 Revised: 01.01.2004

Diameter: $\phi 80 - \phi 1250$ mm.

JKF's rain caps are supplied with the same assembly methods as the duct systems.

The rain caps from diameters $\phi 700 - \phi 1000$ mm are as standard supplied with flange.

The rain caps from diameter $\phi 80 - \phi 225$ mm are supplied with edge, and from diameter $\phi 250 - \phi 1000$ mm they are supplied with edge and inside cone.



Dimensional specifications are given in the table below.

Dimensional specifications							
D mm	s mm	B mm	C mm	D mm	E mm	Weight kg	
80	0,90	200	130	50	75	1,30	
100	0,90	200	130	50	75	1,35	
120	0,90	250	150	50	75	1,40	
125	0,90	250	150	50	75	1,50	
140	0,90	350	190	50	100	1,90	
150	0,90	350	190	50	100	1,95	
160	0,90	350	190	50	100	2,10	
180	0,90	400	220	50	100	2,50	
200	0,90	400	220	50	100	2,55	
225	0,90	500	240	50	100	2,60	
250	0,90	500	240	50	100	3,00	
275	0,90	500	240	50	100	3,30	
300	0,90	650	340	100	150	5,20	
315	0,90	650	340	100	150	5,30	
350	0,90	650	340	100	150	5,90	
400	0,90	750	371	100	150	8,10	
450	0,90	750	370	100	150	8,20	
500	0,90	950	440	150	150	9,90	
550	0,90	950	440	150	150	10,50	
600	0,90	1050	480	150	150	13,90	
630	0,90	1050	480	150	150	14,00	
650	0,90	1050	480	150	150	14,10	
700	0,90	1200	570	200	200	21,40	
750	0,90	1200	570	200	200	21,70	
800	1,25	1400	610	200	200	25,60	
850	1,25	1400	610	200	200	25,80	
900	1,25	1550	680	250	200	29,50	
950	1,25	1550	680	250	200	29,80	
1000	1,25	1700	720	250	200	35,90	
1100	1,25	1850	745	250	200	39,80	
1250	1,25	2000	765	250	200	44,50	