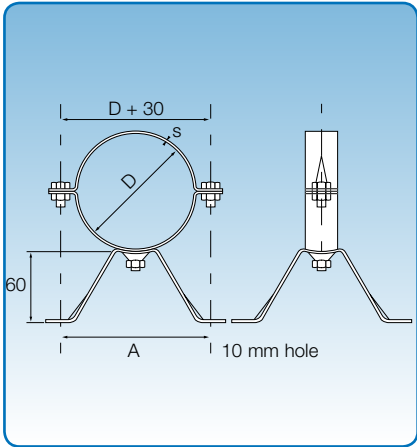
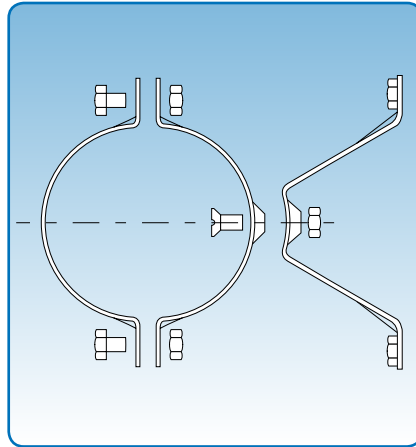


# Clip bands, galvanised

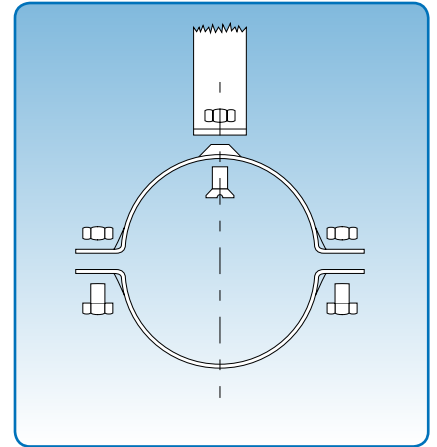
Technical catalogue: Duct systems  
 Section: 09  
 Page: 1/7  
 Revised: 01.01.2004



With legs



For wall mounting



Suspended

Diameter:  $\varnothing 80 - \varnothing 315$  mm.

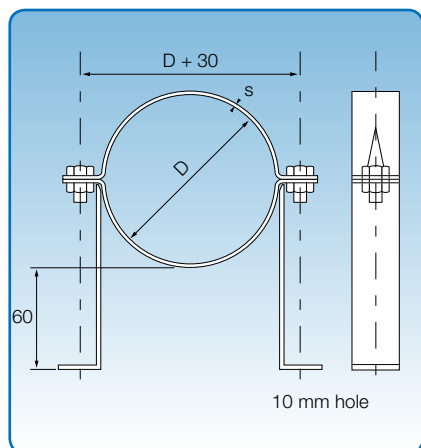
JKF's clip bands are designed for suspension of the duct systems. The clip bands are available in three different suspension models.

With regard to the distance between the clip bands, it is recommended to apply one clip band every second duct assembly.

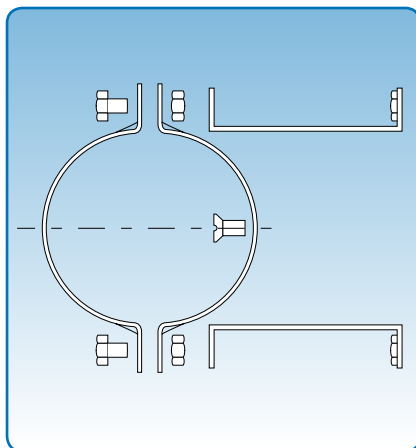
Dimensional specifications			
D mm	A mm	s mm	Weight kg
80	132	2,00	0,10
100	132	2,00	0,12
120	132	2,00	0,15
125	132	2,00	0,16
140	132	2,00	0,18
150	132	2,00	0,20
160	132	2,00	0,22
180	210	2,00	0,24
200	210	2,00	0,26
225	210	2,00	0,28
250	210	2,00	0,30
275	210	2,00	0,32
300	210	2,00	0,34
315	210	2,00	0,35

# Clip bands, galvanised/primed, heavy design

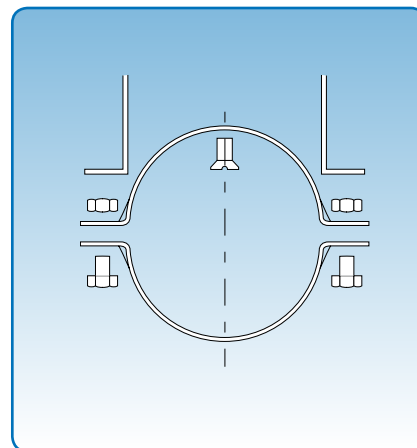
Technical catalogue: Duct systems  
 Section: 09  
 Page: 2/7  
 Revised: 01.01.2004



With legs



For wall mounting



Suspended

Diameter:  $\varnothing 250 - \varnothing 800$  mm.

JKF's clips bands are designed for suspension of the duct systems. The clip bands are available in three different suspension models.

With regard to the distance between the clip bands, it is recommended to apply one clip band every second duct assembly.

## Dimensional specifications

D mm	Galvanised		Primed	
	s mm	Weight kg	D mm	Weight kg
250	-	-	5	1,55
300	-	-	5	1,70
325	3,00	1,80	-	-
350	3,00	1,95	6	2,15
375	3,00	2,20	-	-
400	3,00	2,50	6	3,60
425	3,00	2,65	-	-
450	3,00	2,80	6	4,25
500	3,00	3,00	6	4,70
550	3,00	3,35	6	5,10
600	3,00	3,60	6	5,40
630	3,00	3,70	6	6,10
650	3,00	3,85	6	6,30
700	3,00	4,00	6	7,45
750	3,00	4,35	6	8,60
800	3,00	4,80	6	9,65

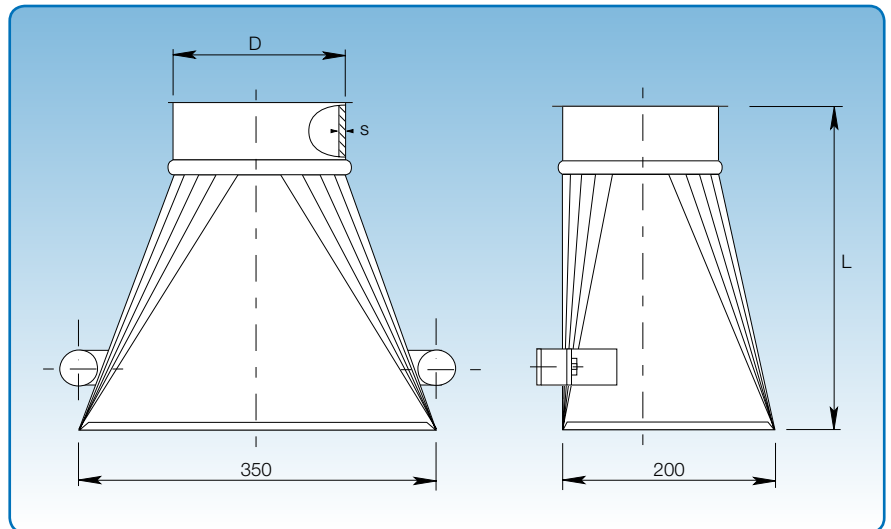
# Screens for cutting, galvanised

Technical catalogue: Duct systems  
 Section: 09  
 Page: 3/7  
 Revised: 01.01.2004

Diameter:  $\phi 100 - \phi 150$  mm.

JKF's standard programme comprises the screens for cutting and are made from 0,90 mm galvanised sheet (s).

The screens for cutting can be supplied with mounting magnets.



Dimensional specifications are given in the table below.

Dimensional specifications			
D mm	s mm	L mm	Weight kg
100	0,90	310	1,50
120	0,90	310	1,75
140	0,90	310	2,00
150	0,90	310	2,25

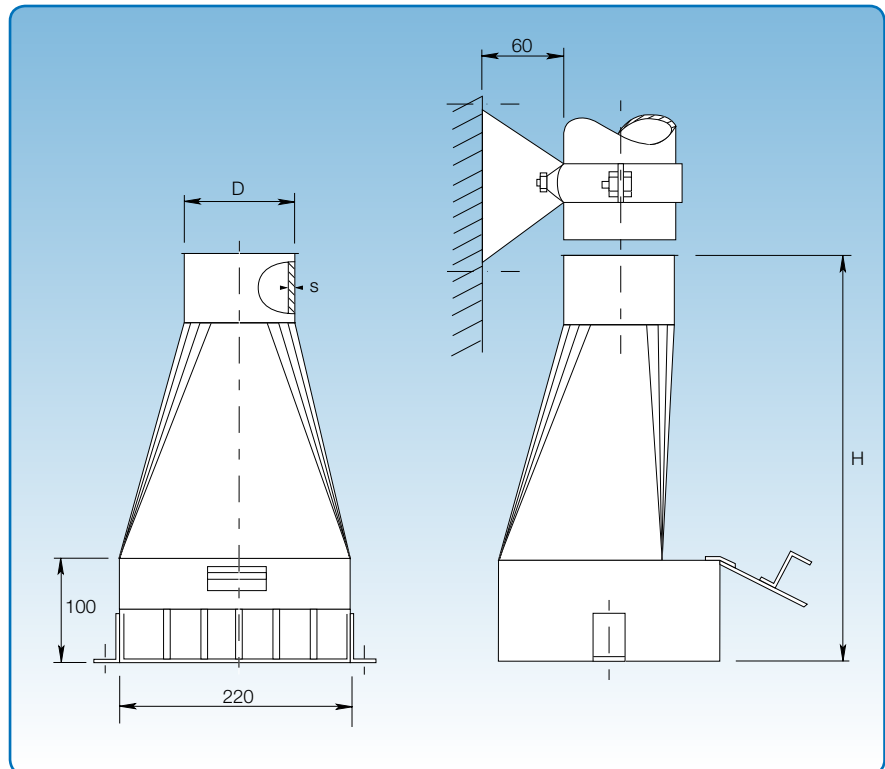
# Sweep ups, galvanised

Technical catalogue: Duct systems  
 Section: 09  
 Page: 4/7  
 Revised: 01.01.2004

Diameter:  $\phi 100 - \phi 150$  mm.

JKF's standard programme comprises the sweep ups for suction of floor spaces and are made from 0,90 mm galvanised sheet (s).

The sweep ups are as standard supplied with grill and without gate, but they can also be supplied with both grill and gate.

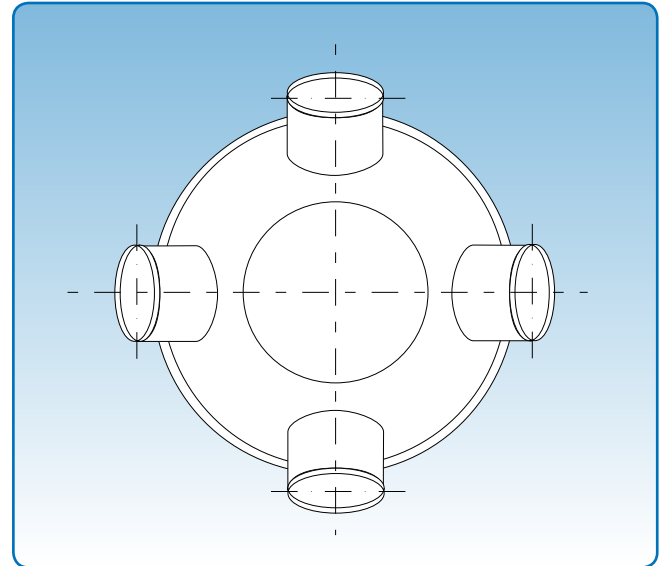
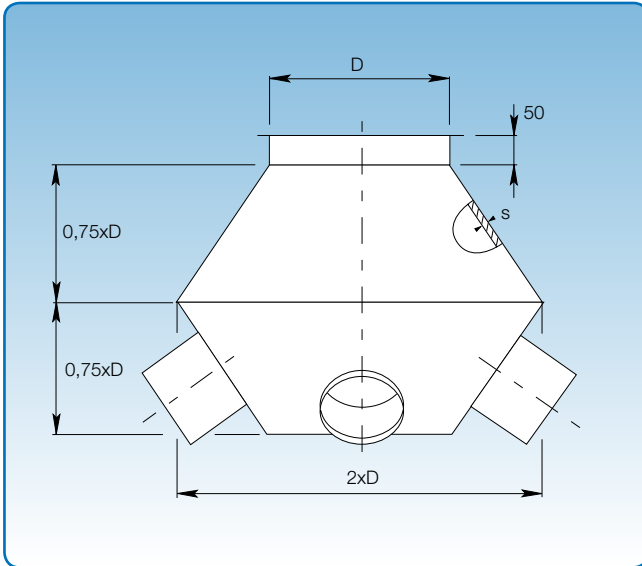


Dimensional specifications are given in the table below.

Dimensional specifications			
D mm	s mm	H mm	Weight kg
100	0,90	390	1,50
120	0,90	390	2,00
140	0,90	390	2,50
150	0,90	390	3,00

# Sputniks, galvanised

Technical catalogue: Duct systems  
 Section: 09  
 Page: 5/7  
 Revised: 01.01.2004



Dimensional specifications are given in the table below.

Diameter:  $\varnothing 80 - \varnothing 500$  mm.

JKF's standard programme comprises the sputniks and are made from 0,90 mm galvanised sheet (s).

The sputniks are used in connection with the assembly of several suction heads in one suction duct.

The sputniks are available with 2 – 9 spigots.

Dimensional specifications		
D mm	s mm	Weight kg
80	0,90	1,28
100	0,90	1,60
120	0,90	2,00
125	0,90	2,60
150	0,90	3,27
160	0,90	4,09
180	0,90	5,12
200	0,90	6,40
250	0,90	8,00
300	0,90	10,00
315	0,90	12,00
350	0,90	14,50
400	0,90	17,40
450	0,90	21,00
500	0,90	25,00

# Purflex hoses

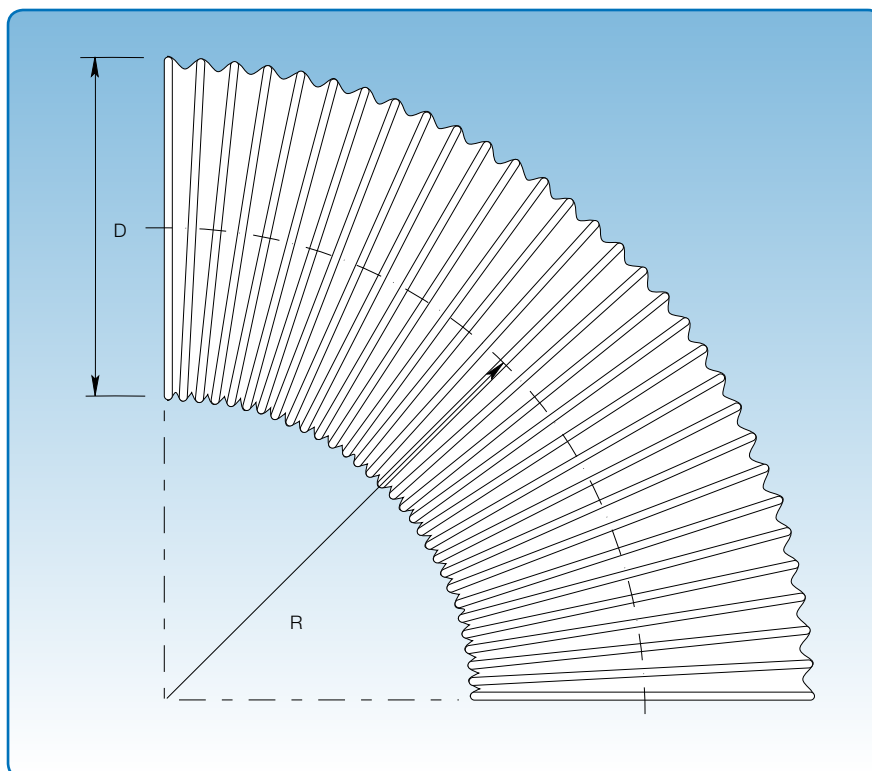
Technical catalogue: Duct systems  
 Section: 09  
 Page: 6/7  
 Revised: 01.01.2004

Diameter:  $\phi 50 - \phi 300$  mm.

The Purflex hoses are suitable for application within the chemical and petrochemical industry for gases, cement dust, granulates, abrasive powders, shavings etc.

The Purflex hoses are very hard-wearing and are made from 100% polyurethane i.e. a one-layer film encasing an anti-corrosive steel spiral.

Operating temperature is from  $-30^{\circ}\text{C}$  to  $+80^{\circ}\text{C}$ .

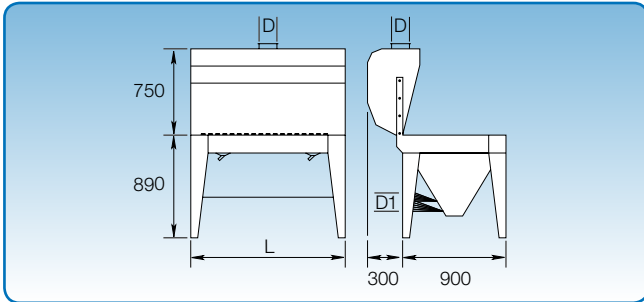


Dimensional specifications are given in the table below.

Dimensional specifications		
D mm	R mm	Weight kg / m
50	160	0,85
60	180	0,90
65	180	1,00
70	200	1,00
80	250	1,30
90	300	1,60
100	318	1,70
120	350	1,90
125	380	1,90
130	380	2,00
140	400	2,10
150	450	2,40
160	500	2,70
180	500	2,90
200	500	3,00
250	550	3,40
300	550	3,80

# Sander tables, galvanised

Technical catalogue: Duct systems  
 Section: 09  
 Page: 7/7  
 Revised: 01.01.2004



JKF's sander tables are designed to give the operator an optimal work-place, both ergonomically and environmentally.

Here the so-called "Coanda" effect protects the operator's respiratory organs from the unpleasant dust suspended in the air.

With models supplied with louvre gate built into the tabletop, it is possible to adjust the required air flow.

The sander tables are made from galvanised sheet.

They are supplied as standard in two different models:

Diameter 900 mm.

Diameter 1350 mm.

The legs of the table are not adjustable, but they are fixed legs for a specific height of the table.

Diameter 900:

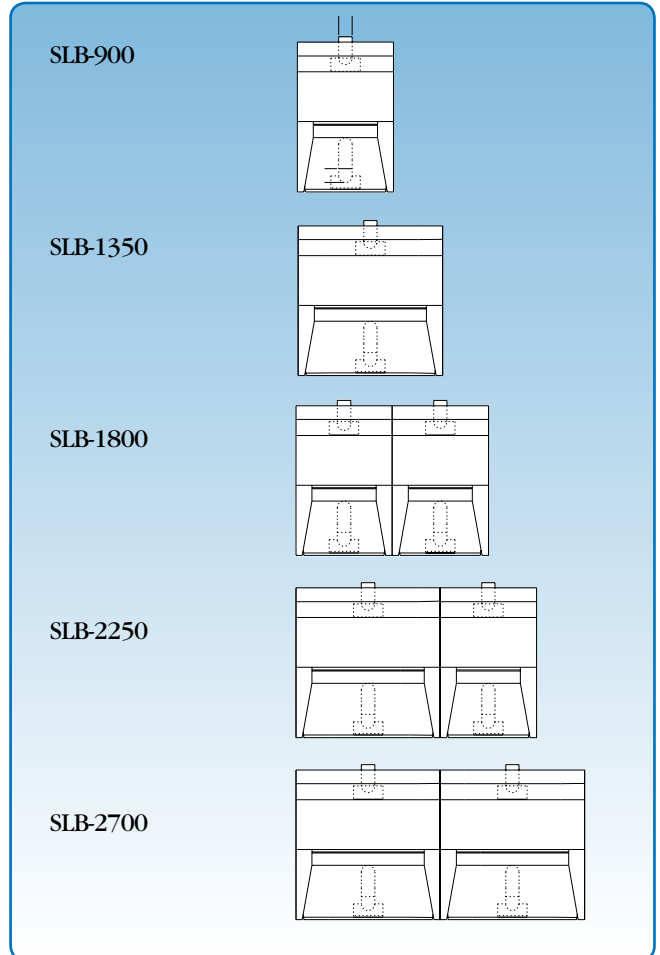
Supplied as standard without louvre gate and with upper screen.

At an additional price:

Supplied as a special model with louvre gate and with upper screen.

Supplied as a special model without louvre gate and without upper screen.

Supplied as a special model with louvre gate and without upper screen.



Dimensional specifications are given in the table below.

Diameter 1350:

Supplied as standard without louvre gate and with upper screen.

At an additional price:

Supplied as a special model with louvre gate and with upper screen.

Supplied as a special model without louvre gate and without upper screen.

Supplied as a special model with louvre gate and without upper screen.

Dimensional specifications						
Type	L mm	D mm	D1 mm	Primary suction m <sup>3</sup> / h	Suction below table m <sup>3</sup> / h	Weight kg
SLB-900	900	125	125	1200	1200	79
SLB-1350	1350	160	150	1800	1200	96
SLB-1800	1800	2 x 125	2 x 125	2400	2400	160
SLB-2250	2250	160 and 125	150 and 125	3000	2400	176
SLB-2700	2700	2 x 160	2 x 150	3600	2400	195