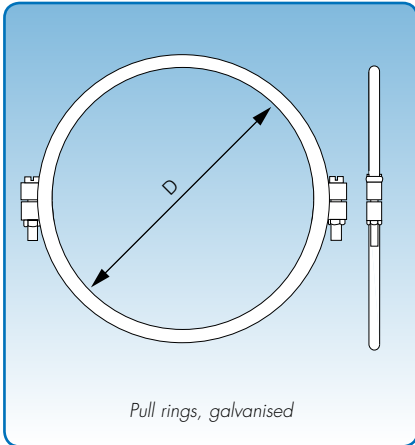


Pull rings, galvanised

Technical catalogue: Duct systems
 Section: 05
 Page: 1/2
 Revised: 01.01.2004



Pull rings, galvanised

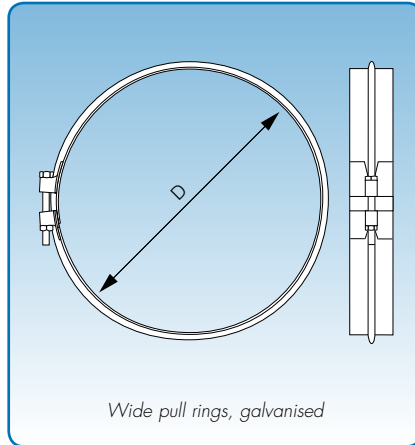
Diameter: $\varnothing 80 - \varnothing 500$ mm.

JKF's galvanised pull rings [f.b] are split in two halves and electro-galvanised.

A ring of EPDM rubber is supplied as an accessory to ensure tight connections of the diameters $\varnothing 80 - \varnothing 300$ mm.

The pull rings are supplied in plastic bags of 10 pcs., including the necessary bolts and nuts for assembly.

Pull rings, galvanised	
D mm	Weight / 10 pcs. kg
80	0,55
100	0,60
120	0,65
125	0,70
140	0,75
150	0,80
160	0,83
180	0,85
200	0,90
225	0,95
250	1,00
275	1,05
300	1,25
315	1,30
350	1,35
400	1,45
450	1,65
450	1,65
500	1,90



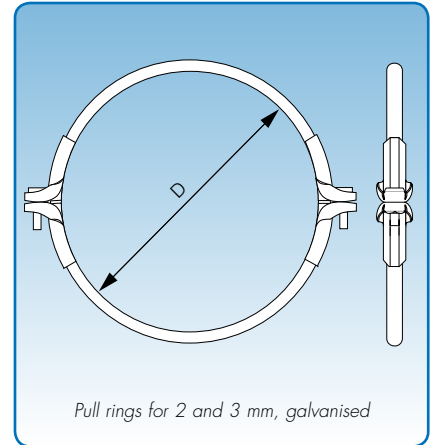
Wide pull rings, galvanised

Diameter: $\varnothing 200 - \varnothing 650$ mm.

JKF's galvanised wide pull rings [f.bb] are made from hot-galvanised sheet.

The wide pull rings are supplied individually with bolt and nut.

Wide pull rings, galvanised	
D mm	Weight / pcs. kg
200	0,25
225	0,30
250	0,35
275	0,40
300	0,45
315	0,47
350	0,50
400	0,55
450	0,60
500	0,65
550	0,70
600	0,75
630	0,78
650	0,80



Pull rings for 2 and 3 mm, galvanised

Diameter: $\varnothing 100 - \varnothing 600$ mm.

JKF's galvanised pull rings [f.b] are split in two halves and electro-galvanised.

The pull rings are supplied individually with bolt and nut.

Pull rings for 2 and 3 mm, galvanised	
D mm	Weight / 10 pcs. kg
100	1,87
120	2,04
125	2,21
150	2,38
160	2,55
180	2,72
200	2,83
250	3,40
300	3,57
Terostat insert	
315	4,25
350	4,42
400	4,93
450	5,61
500	6,46
550	7,14
600	8,50

Flanges

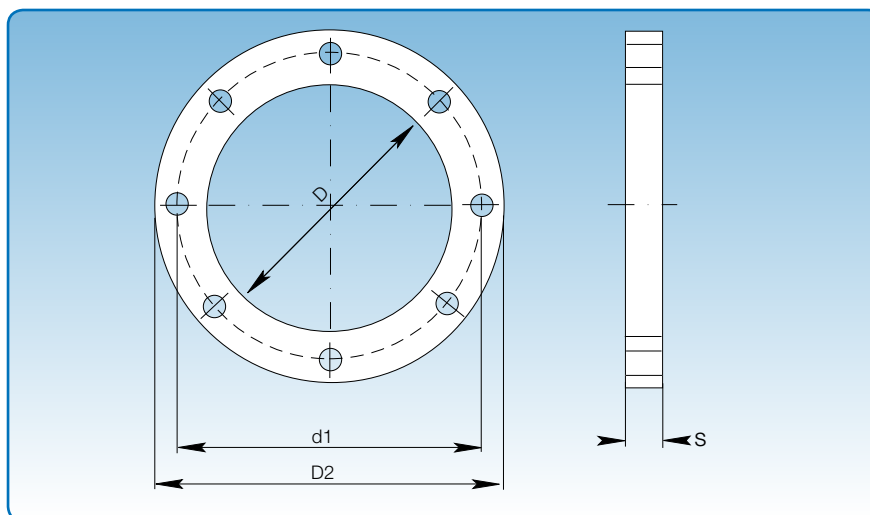
Technical catalogue: Duct systems
 Section: 07
 Page: 1/2
 Revised: 01.01.2004

Diameter: $\varnothing 80 - \varnothing 1250$ mm.

JKF's flanges are made in accordance with JKF's standard, and they are a standard component of the remaining product programme.

The stocked flanges are made from hot-galvanised flat iron, but they can also be supplied untreated.

Flanges in other diameters or profiles are made to order.



Dimensional specifications are given in the table below.

Dimensional specifications								
Diameter nominal	D mm	d1 mm	D2 mm	s mm	Width of flange mm	Size of hole mm	Number of holes	Weight kg
80	83	115	133	3,00	25	9	8	0,263
100	103	135	153	3,00	25	9	8	0,313
120	123	155	173	3,00	25	9	8	0,362
125	128	160	178	3,00	25	9	8	0,378
140	143	175	193	3,00	25	9	8	0,412
150	155	185	205	5,00	25	9	8	0,545
160	165	195	215	5,00	25	9	8	0,576
180	185	215	235	5,00	25	9	8	0,638
200	205	235	255	5,00	25	9	12	0,700
225	230	260	280	5,00	25	9	12	0,750
250	255	285	305	5,00	25	9	12	0,854
275	280	310	330	5,00	25	9	12	0,958
300	305	336	355	5,00	25	9	12	1,008
315	320	351	370	5,00	25	9	12	1,258
350	355	389	415	6,00	26	11	12	1,839
400	405	439	465	6,00	30	11	16	2,080
450	455	389	515	6,00	30	11	16	2,321
500	505	540	565	6,00	30	11	16	2,561
550	535	590	615	6,00	30	11	16	2,802
600	605	640	665	6,00	30	11	16	3,043
630	635	670	695	6,00	30	11	24	3,188
650	655	690	715	6,00	30	11	24	3,284
700	705	750	785	6,00	40	11	24	3,525
750	755	800	835	6,00	40	11	24	5,085
800	805	850	885	6,00	40	11	24	5,406
850	855	900	935	6,00	40	11	24	5,727
900	905	950	985	6,00	40	11	24	6,048
950	955	1000	1035	6,00	40	11	24	6,370
1000	1005	1050	1085	6,00	40	11	24	6,691
1250	1255	1300	1335	6,00	40	11	28	6,850

Rubber flanges

Technical catalogue: Duct systems
 Section: 07
 Page: 2/2
 Revised: 01.01.2004

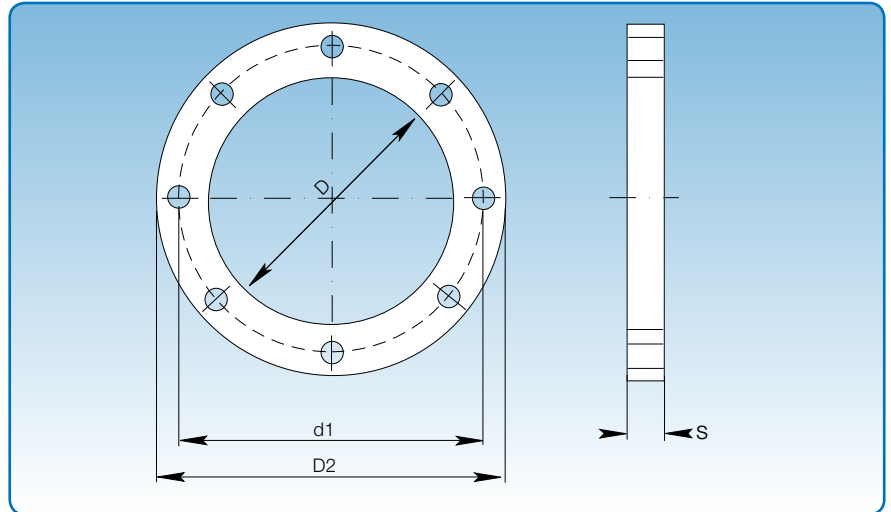
Diameter: ø80 – ø1250 mm.

JKF's rubber flanges are made from NITRIL rubber and designed for the standard flange programme.

Hardness is 65° shore.

Operating temperature is -10°C to +70°C.

The rubber flanges are resistant to oil and petrol and to some extent acid and bases.



Dimensional specifications are given in the table below.

Dimensional specifications								
Diameter nominal	D mm	d1 mm	D2 mm	s mm	Width of flange mm	Size of hole mm	Number of holes	Weight kg
80	83	115	133	3,00	25	8	8	0,039
100	103	135	153	3,00	25	8	8	0,044
120	123	155	173	3,00	25	8	8	0,048
125	128	160	178	3,00	25	8	8	0,049
140	143	175	193	3,00	25	8	8	0,052
150	155	185	205	3,00	25	8	8	0,058
160	165	195	215	3,00	25	8	8	0,061
180	185	215	235	3,00	25	8	8	0,069
200	205	235	255	3,00	25	8	12	0,075
225	230	260	280	3,00	25	8	12	0,086
250	255	285	305	3,00	25	8	12	0,095
275	280	310	330	3,00	25	8	12	0,102
300	305	336	355	3,00	25	8	12	0,107
315	320	351	370	3,00	25	8	12	0,125
350	355	389	415	3,00	26	10	12	0,146
400	405	439	465	3,00	30	10	16	0,179
450	455	389	515	3,00	30	10	16	0,205
500	505	540	565	3,00	30	10	16	0,218
550	535	590	615	3,00	30	10	16	0,245
600	605	640	665	3,00	30	10	16	0,290
630	635	670	695	3,00	30	10	24	0,331
650	655	690	715	3,00	30	10	24	0,352
700	705	750	785	3,00	40	10	24	0,384
750	755	800	835	3,00	40	10	24	0,405
800	805	850	885	3,00	40	10	24	0,422
850	855	900	935	3,00	40	10	24	0,455
900	905	950	985	3,00	40	10	24	0,492
950	955	1000	1035	3,00	40	10	24	0,532
1000	1005	1050	1085	3,00	40	10	24	0,572
1250	1255	1300	1335	3,00	40	10	28	0,622

Rapid lock pull rings with hinge and handle, galvanised

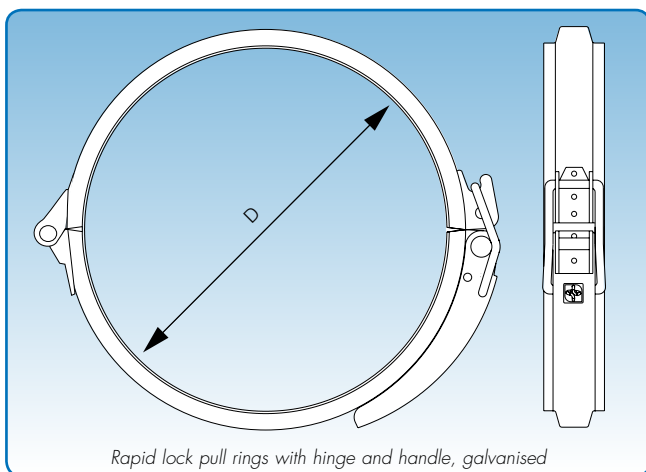
Technical catalogue: Duct systems
 Section: 06
 Page: 1/1
 Revised: 01.01.2004

JKF's rapid lock pull rings [f.lyn] are electro-galvanised and used for fast and tight assembly of the duct systems.

The rapid lock pull rings are equipped with an insert that provides tight connections and stable strength to the duct system and ensures at the same time the electric conductivity of the connection.

The rapid lock pull rings are equipped with an insert specially designed for duct systems made from 2,00 and 3,00 mm steel plate.

A silicone insert able to withstand temperatures of up to 275°C must be used for temperatures higher than 80°C.



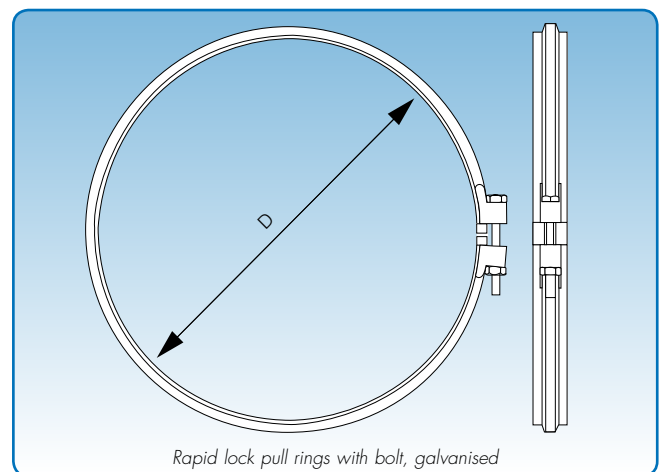
Rapid lock pull rings with hinge and handle, galvanised

Diameter: ø80 – ø400 mm.

The handle has been extended and is made from heavy material so that the rapid lock pull rings can be manually operated.

The strong steel spring guarantees the high quality of the opening and closing mechanism of the rapid lock pull rings and ensures its durability. The rapid lock pull rings are delivered individually.

Rapid lock pull rings with hinge and handle, galvanised	
D mm	Weight / 10 pcs. kg
80	2,00
100	2,30
120	2,40
125	2,45
140	2,50
150	2,50
160	2,60
180	2,60
200	3,30
225	3,40
250	3,80
300	4,25
315	4,40
350	4,90
400	5,25



Rapid lock pull rings with bolt, galvanised

Diameter: ø450 – ø600 mm.

The rapid lock pull rings are delivered individually with bolt and nut.

Rapid lock pull rings with bolt, galvanised	
D mm	Weight / 10 pcs. kg
450	6,00
500	6,50
550	7,00
600	7,50

Rubber gasket rings and insert with sealing compound

Technical catalogue: Duct systems
 Section: 05
 Page: 2/2
 Revised: 01.01.2004

Rubber gasket ring

Diameter: $\varnothing 80 - \varnothing 300$ mm.

JKF's rubber gasket rings are made as standard from EPDM 80 rubber and are used to improve the tightness of the connections [f.b].

Only one rubber gasket ring is mounted near each connection. The rubber gasket ring is mounted at random on one of the edges [f.b] before assembling ducting.

The sectional view of the rubber gasket ring has the form of a "U". Hardness is 80° shore, and the operating temperature is from -40°C to $+100^{\circ}\text{C}$.

The rubber gasket rings in diameters $\varnothing 80 - \varnothing 300$ mm are also made from NITRIL rubber. Hardness is 80° shore, and the operating temperature is from -15°C to $+80^{\circ}\text{C}$. The NITRIL rubber is resistant to oil and petrol and to some extent acid and bases.

The rubber gasket rings are delivered in plastic bags of 10 pcs.

Insert with sealing compound

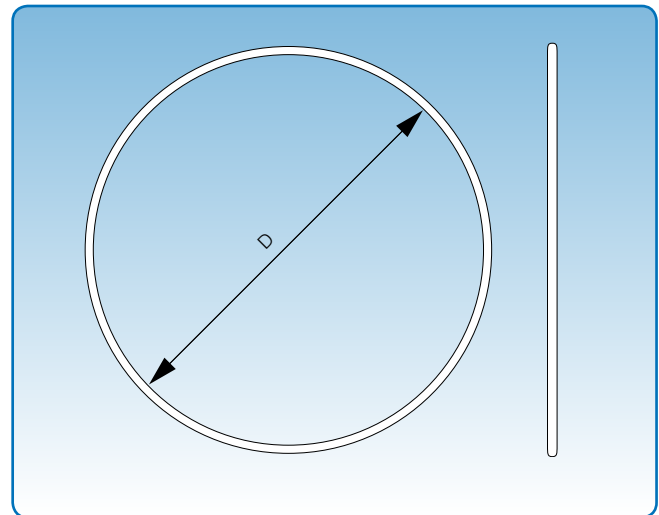
Diameter: $\varnothing 315 - \varnothing 600$ mm.

JKF's pull rings are supplied with an insert of sealing compound made from Terostat VII.

The insert is protected by a plastic film that must be removed before using the pull ring.

The sealing compound does not contain any classified substances exceeding the lower limit, neither is it water-soluble.

Operating temperature is from -50°C to $+100^{\circ}\text{C}$.



Dimensional specifications are given in the table below.

Dimensional specifications	
D mm	Weight / 10 pcs. kg
80	0,02
100	0,03
120	0,04
125	0,04
140	0,05
150	0,06
160	0,07
180	0,08
200	0,09
225	0,10
250	0,11
275	0,12
300	0,13