

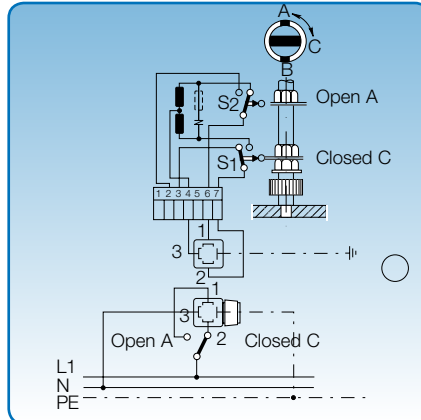
Automation for sliding dampers, throttle valves and diverters

Technical catalogue: Duct systems
 Section: 04
 Page: 1/26
 Revised: 01.01.2004

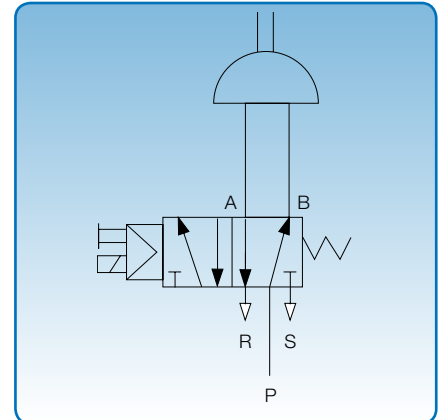
The circuit diagrams shown apply to the standard systems on the sliding dampers, throttle valves and diverters.

The systems operate pneumatically at maximum 6 bar and electrically at 230 V AC. Systems operating at other voltage levels can be supplied.

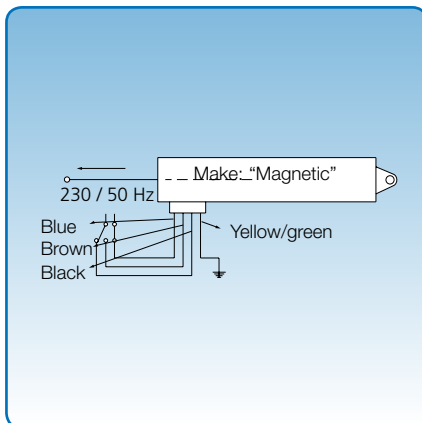
Circuit diagrams for systems operating at other voltage levels are available.



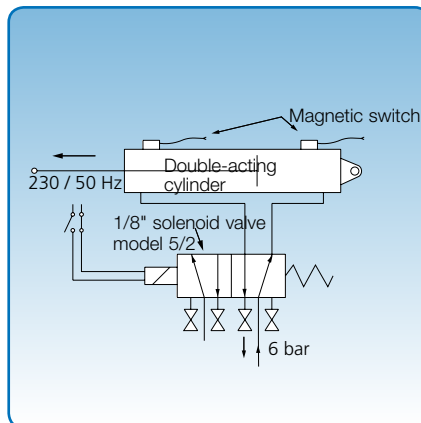
Circuit diagram of electric motor for pressed diverter, diameter: $\varnothing 100 - \varnothing 300$ mm.



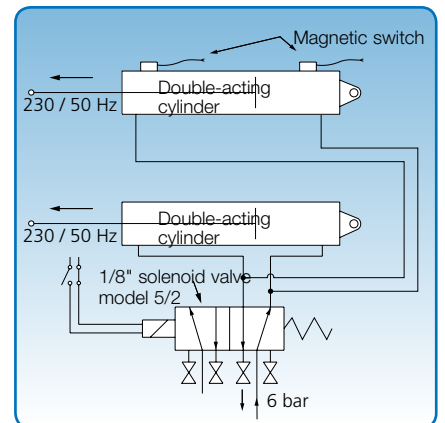
Circuit diagram of pneumatic actuator for pressed diverter, diameter: $\varnothing 100 - \varnothing 300$ mm and throttle valve, diameter: $\varnothing 80 - \varnothing 400$ mm.



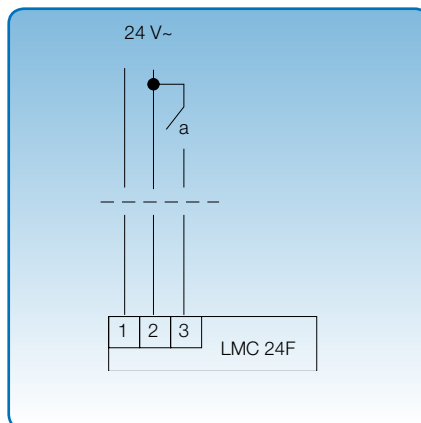
Circuit diagram of electric cylinder for welded diverter, diameter: $\varnothing 80 - \varnothing 550$ mm and standard sliding damper, diameter: $\varnothing 80 - \varnothing 275$ mm.



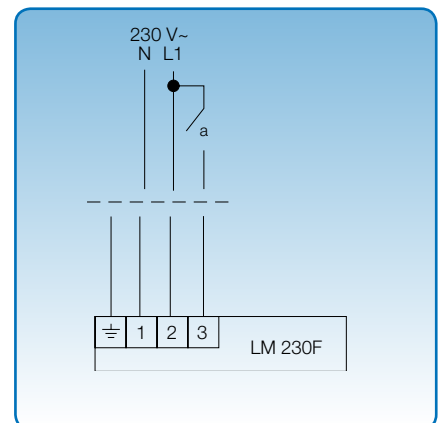
Circuit diagram of pneumatic cylinder for welded diverter, diameter: $\varnothing 80 - \varnothing 550$ mm and standard sliding damper, diameter: $\varnothing 80 - \varnothing 500$ mm.



Circuit diagram of two pneumatic cylinders for tight sliding dampers, diameter: $\varnothing 80 - \varnothing 500$ mm.



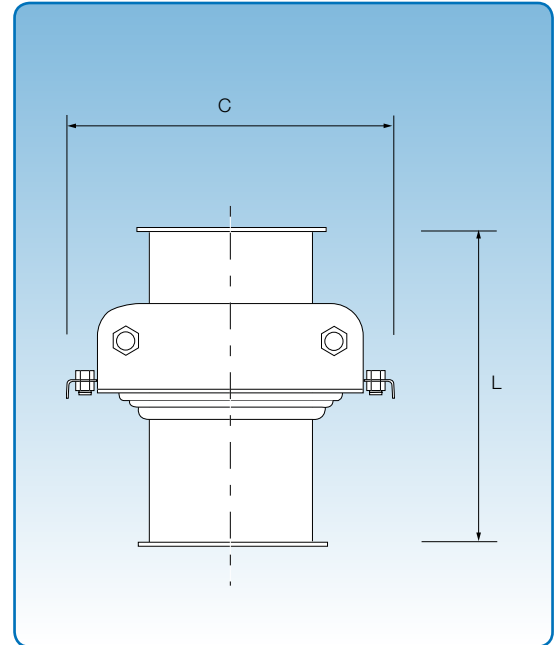
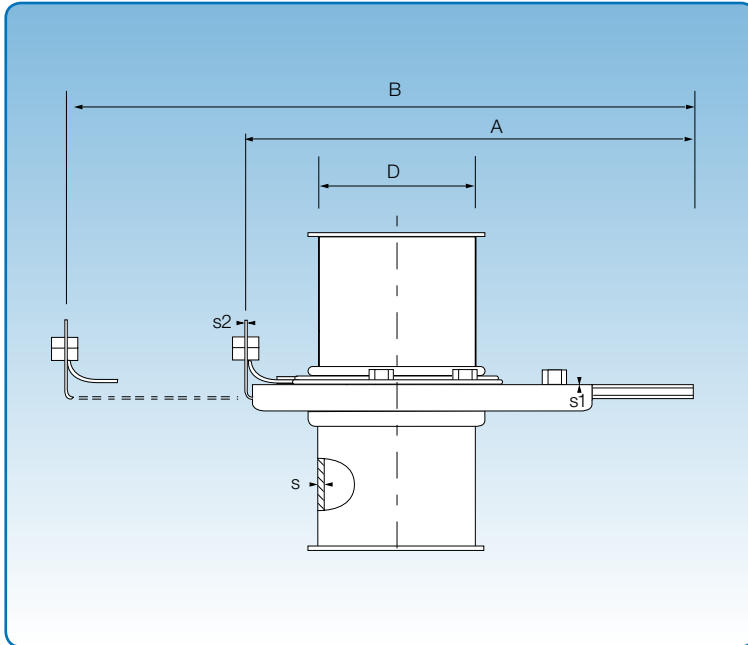
Circuit diagram of electric motor for throttle valve, diameter: $\varnothing 80 - \varnothing 160$ mm.



Circuit diagram of electric motor for throttle valve, diameter: $\varnothing 180 - \varnothing 400$ mm.

Tight sliding dampers, ø80-ø200 mm galvanised, manu- ally operated

Technical catalogue: Duct systems
Section: 04
Page: 2/26
Revised: 01.01.2004



Dimensional specifications are given in the table below.

Diameter: ø80 – ø200 mm.

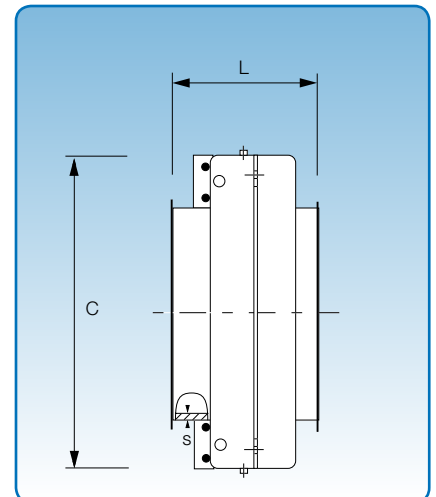
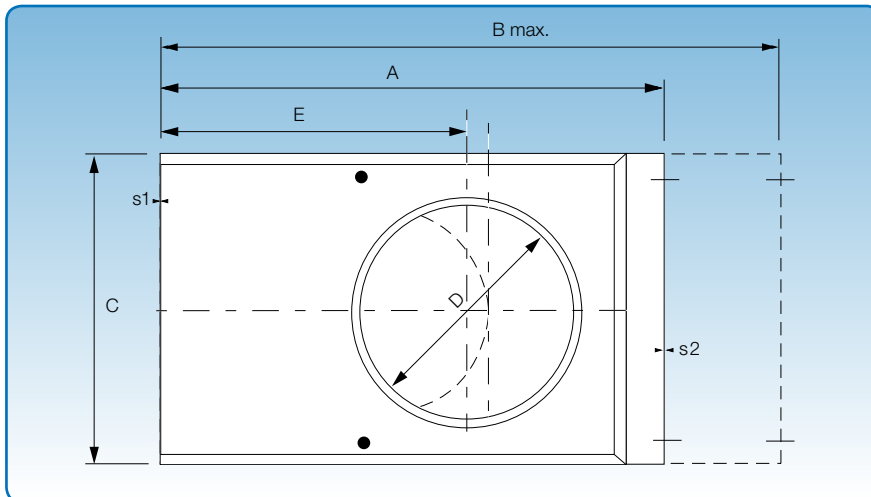
JKF's sliding dampers are made from pressed half-parts of 0,90 mm galvanised sheet (s).

The sliding dampers slide smoothly in gaskets of polyether and PEHD to ensure optimal tightness.

Dimensional specifications								
D mm	s mm	s1 mm	s2 mm	A mm	B mm	C mm	L mm	Weight kg
80	0,90	1,25	1,5	225	320	160	135	1,20
100	0,90	1,25	1,5	265	380	190	135	1,50
120	0,90	1,25	2,0	325	460	215	135	2,10
125	0,90	1,25	2,0	325	460	215	135	2,10
140	0,90	1,25	2,0	375	540	240	135	2,90
150	0,90	1,25	2,0	375	540	240	135	2,90
160	0,90	1,25	2,0	405	585	250	135	3,20
180	0,90	1,25	2,0	455	655	290	135	4,10
200	0,90	1,25	2,0	485	705	300	135	4,40

Tight sliding dampers, $\varnothing 225$ – $\varnothing 500$ mm galvanised, manually operated

Technical catalogue: Duct systems
Section: 04
Page: 3/26
Revised: 01.01.2004



Dimensional specifications are given in the table below.

Diameter: $\varnothing 225$ – $\varnothing 500$ mm.

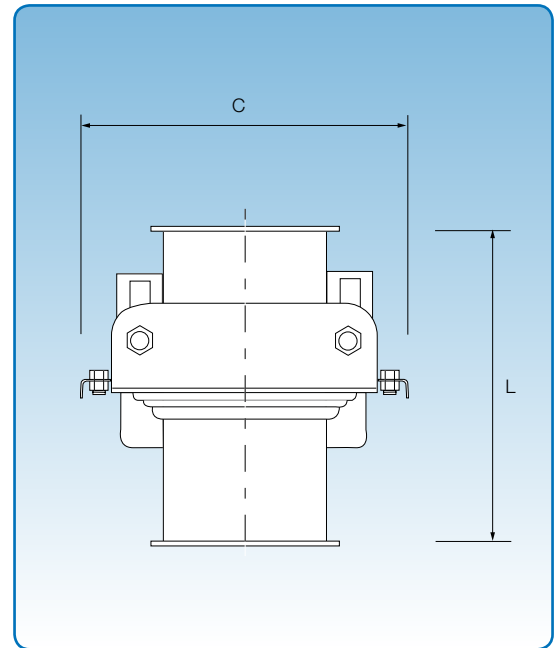
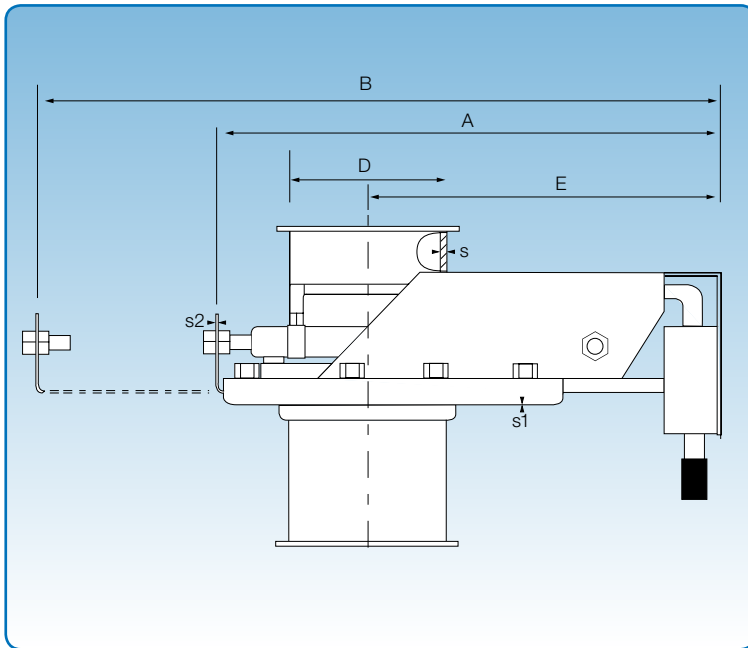
JKF's sliding dampers are made from pressed half-parts of 1,50 and 2,00 mm galvanised sheet (s).

The sliding dampers slide smoothly in gaskets of polyether and PEHD to ensure optimal tightness.

Dimensional specifications									
D mm	s mm	s1 mm	s2 mm	A mm	B max. mm	C mm	L mm	E mm	Weight kg
225	1,50	1,50	2,50	580	830	360	190	390	11,0
250	1,50	1,50	2,50	660	960	385	190	455	12,9
275	2,00	2,00	3,00	680	980	410	190	465	17,8
300	2,00	2,00	3,00	725	1045	435	190	495	18,9
315	2,00	2,00	3,00	855	1255	485	190	600	25,1
350	2,00	2,00	3,00	855	1255	485	190	600	23,3
400	2,00	2,50	3,00	1005	1505	545	190	725	35,9
450	2,00	2,50	3,00	1055	1555	595	190	750	39,6
500	2,00	3,00	3,00	1140	1670	645	190	805	50,5

Tight sliding dampers, $\varnothing 80 - \varnothing 200$ mm galvanised, pneumatically operated

Technical catalogue: Duct systems
 Section: 04
 Page: 4/26
 Revised: 01.01.2004



Dimensional specifications are given in the table below.

Diameter: $\varnothing 80 - \varnothing 200$ mm.

JKF's sliding dampers are made from pressed half-parts of 0,90 mm galvanised sheet (s).

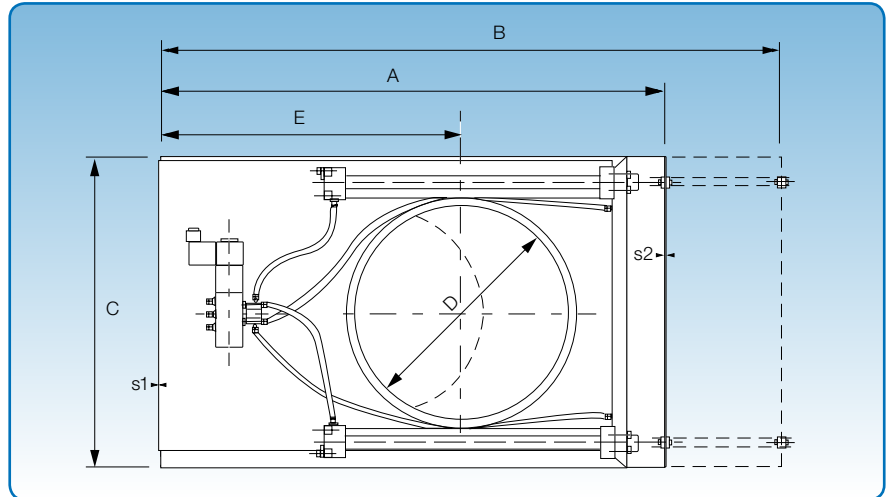
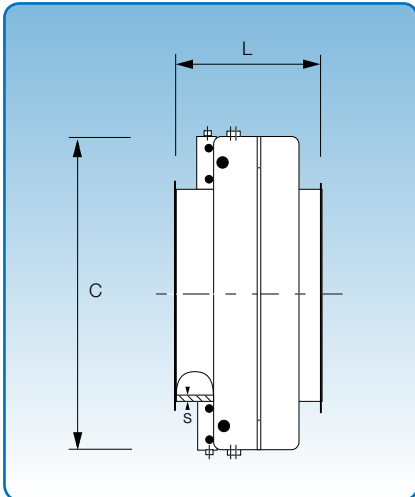
The sliding dampers slide smoothly in gaskets of polyether and PEHD to ensure optimal tightness. The damper is equipped with two pneumatic cylinders that run parallel to each other.

The sliding dampers are supplied as standard with a solenoid valve. The solenoid valve is a 5/2 valve, monostable, with one electric coil, 230 V – 50/60 Hz. Pneumatics: 4 – 6 bar.

Dimensional specifications									
D mm	s mm	s1 mm	s2 mm	A mm	B mm	C mm	L mm	E mm	Weight kg
80	0,90	1,25	1,50	260	355	160	135	190	2,3
100	0,90	1,25	1,50	305	415	190	135	225	2,8
120	0,90	1,25	2,00	360	500	215	135	260	3,6
125	0,90	1,25	2,00	360	500	215	135	260	3,6
140	0,90	1,25	2,00	415	580	240	135	300	4,4
150	0,90	1,25	2,00	415	580	240	135	300	4,4
160	0,90	1,25	2,00	445	620	250	135	325	4,9
180	0,90	1,25	2,00	495	695	290	135	355	6,0
200	0,90	1,25	2,00	525	745	300	135	385	6,3

Tight sliding dampers, $\varnothing 225$ – $\varnothing 500$ mm galvanised, pneumati- cally operated

Technical catalogue: Duct systems
Section: 04
Page: 5/26
Revised: 01.01.2004



Dimensional specifications are given in the table below.

Diameter: $\varnothing 225$ – $\varnothing 500$ mm.

JKF's sliding dampers are made from pressed half-parts of 1,50 and 2,00 mm galvanised sheet (s).

The sliding dampers slide smoothly in gaskets of polyether and PEHD to ensure optimal tightness. The damper is equipped with two pneumatic cylinders that run parallel to each other.

The sliding dampers are supplied as standard with a solenoid valve. The solenoid valve is a 5/2 valve, monostable, with one electric coil, 230 V – 50/60 Hz. Pneumatics: 4 – 6 bar.

Dimensional specifications

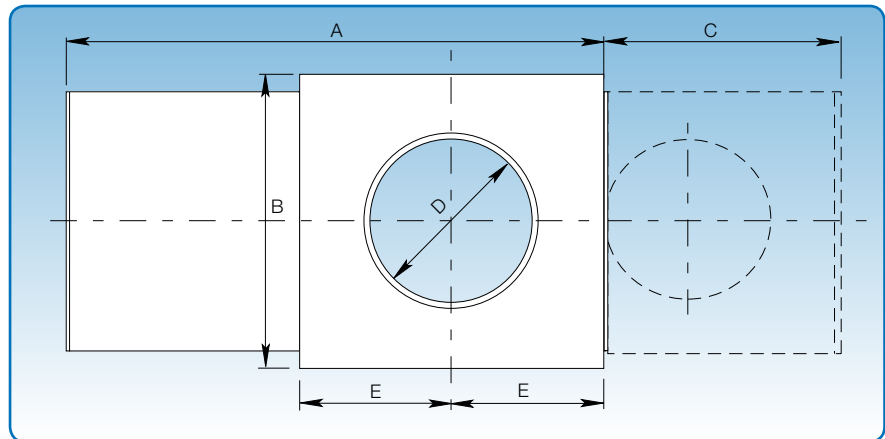
D mm	s mm	s1 mm	s2 mm	A mm	B mm	C mm	L mm	E mm	Weight kg
225	1,50	1,50	2,50	580	830	360	190	390	14,9
250	1,50	1,50	2,50	660	960	385	190	455	16,7
275	2,00	2,00	3,00	680	980	410	190	465	21,7
300	2,00	2,00	3,00	725	1045	435	190	495	23,0
315	2,00	2,00	3,00	855	1255	485	190	600	27,9
350	2,00	2,00	3,00	855	1255	485	190	600	29,8
400	2,00	2,50	3,00	1005	1505	545	190	725	41,0
450	2,00	2,50	3,00	1055	1555	595	190	750	44,7
500	2,00	3,00	3,00	1140	1670	645	190	805	56,2

Sliding dampers, ø80-ø500 mm galvanised, manu- ally operated

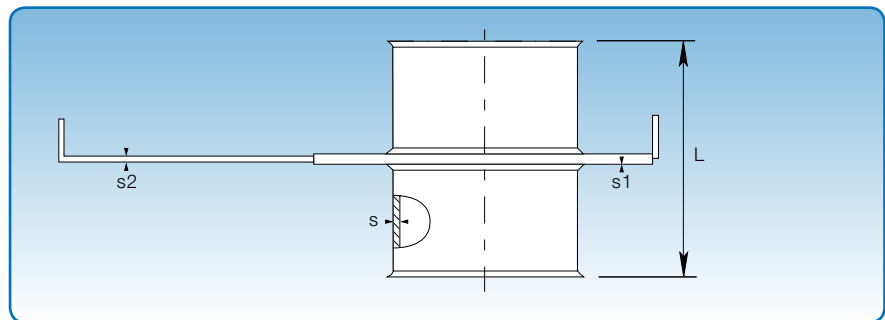
Technical catalogue: Duct systems
Section: 04
Page: 6/26
Revised: 01.01.2004

Diameter: ø80 – ø500 mm.

JKF's sliding dampers are made from 0,90 mm galvanised sheet (s). The damper itself is made from 2,00 mm steel plate (s2).



Dimensional specifications of the diameter (D) are given in the table below.



Dimensional specifications of the length (L) are given in the table below.

Dimensional specifications

D mm	s mm	s1 mm	s2 mm	A mm	B mm	C mm	E mm	L mm	Weight kg
80	0,90	1,25	2,00	255	145	105	75	130	1,10
100	0,90	1,25	2,00	340	185	150	95	130	1,60
120	0,90	1,25	2,00	340	185	150	95	130	1,70
125	0,90	1,25	2,00	340	185	150	95	130	1,80
140	0,90	1,25	2,00	405	225	175	115	130	2,40
150	0,90	1,25	2,00	405	225	175	115	130	2,30
160	0,90	1,25	2,00	405	225	175	115	130	2,30
180	0,90	1,25	2,00	525	295	225	150	130	3,80
200	0,90	1,25	2,00	525	295	225	150	130	4,00
225	0,90	1,50	2,00	590	325	270	160	130	4,60
250	0,90	1,50	2,00	650	350	300	175	130	5,20
275	0,90	1,50	2,00	705	380	325	190	130	6,40
300	0,90	1,50	2,00	755	400	345	205	130	6,50
315	0,90	1,50	2,00	785	420	365	210	130	7,00
350	0,90	1,50	2,00	885	450	435	200	130	7,60
400	0,90	1,50	2,00	960	500	460	250	130	8,80
450	0,90	1,50	2,00	1050	550	500	275	130	10,00
500	0,90	1,50	2,00	1160	600	550	300	130	11,50

Sliding dampers, ø80-ø500 mm galvanised, pneumatically operated

Technical catalogue: Duct systems
Section: 04
Page: 7/26
Revised: 01.01.2004

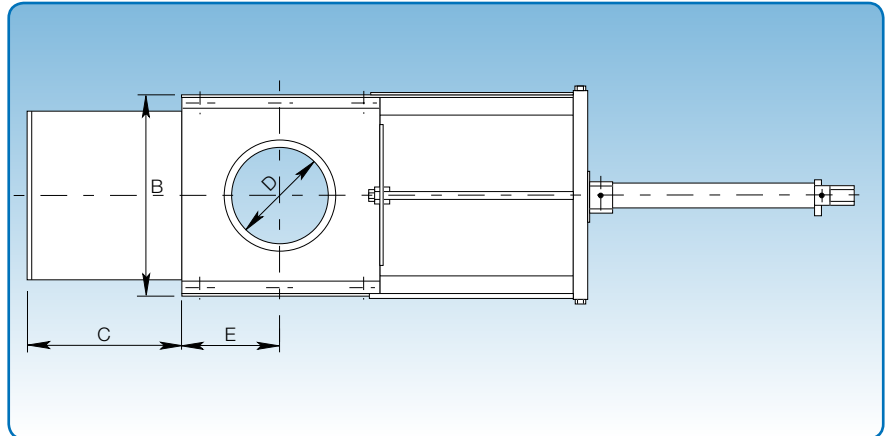
Diameter: ø80 – ø500 mm.

JKF's sliding dampers are made from 0,90 mm galvanised sheet (s). The damper itself is made from 2,00 mm steel plate (s2).

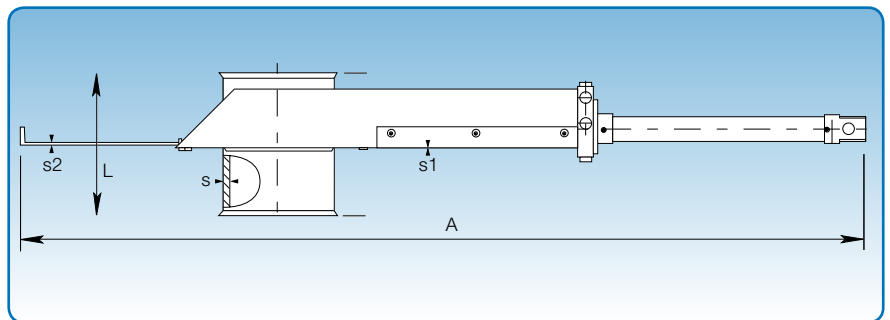
Pneumatics: 4 – 6 bar.

The damper is equipped with a pneumatic cylinder.

Solenoid valve and position indicator are supplied as accessories.



Dimensional specifications of the diameter (D) are given in the table below.



Dimensional specifications of the length (L) are given in the table below.

Dimensional specifications									
D mm	s mm	s1 mm	s2 mm	A mm	B mm	C mm	E mm	L mm	Weight kg
80	0,90	1,25	2,00	550	145	100	75	130	3,00
100	0,90	1,25	2,00	800	185	160	95	130	3,50
120	0,90	1,25	2,00	800	185	160	95	130	3,60
125	0,90	1,25	2,00	800	185	160	95	130	3,70
140	0,90	1,25	2,00	975	225	200	155	130	4,70
150	0,90	1,25	2,00	975	225	200	115	130	4,60
160	0,90	1,25	2,00	975	225	200	115	130	5,70
180	0,90	1,25	2,00	1180	295	250	150	130	7,80
200	0,90	1,25	2,00	1180	295	250	150	130	8,00
225	0,90	1,50	2,00	1365	325	300	160	130	9,00
250	0,90	1,50	2,00	1390	350	300	175	130	9,80
275	0,90	1,50	2,00	1725	380	400	190	130	11,20
300	0,90	1,50	2,00	1750	400	400	205	130	11,50
315	0,90	1,50	2,00	1770	420	400	210	130	13,30
350	0,90	1,50	2,00	2000	450	400	200	130	14,00
400	0,90	1,50	2,00	2150	500	500	250	130	16,00
450	0,90	1,50	2,00	2225	550	500	275	130	17,50
500	0,90	1,50	2,00	2575	600	600	300	130	20,50

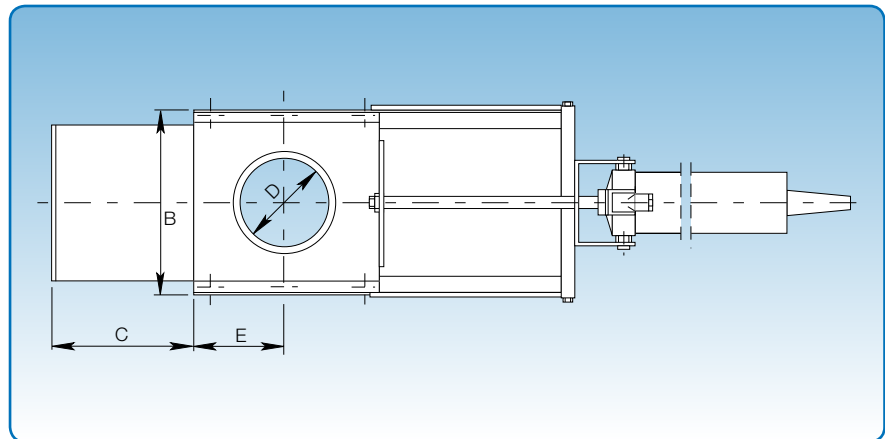
Sliding dampers, ø80-ø250 mm galvanised, elec- trically operated

Technical catalogue: Duct systems
Section: 04
Page: 8/26
Revised: 01.01.2004

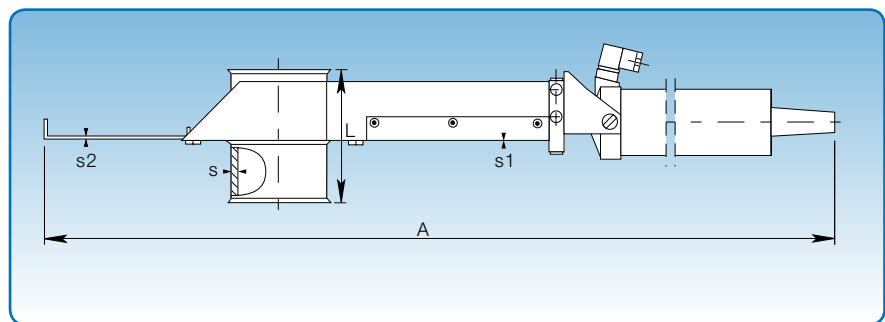
Diameter: ø80 – ø250 mm.

JKF's sliding dampers are made from 0,90 mm galvanised sheet (s). The damper itself is made from 2,00 mm steel plate (s2).

The damper is equipped with an electric spindle motor 230 V – 50 Hz.



Dimensional specifications of the diameter (D) are given in the table below.



Dimensional specifications of the length (L) are given in the table below.

Dimensional specifications									
D mm	s mm	s1 mm	s2 mm	A mm	B mm	C mm	E mm	L mm	Weight kg
80	0,90	1,25	2,00	700	145	100	75	130	4,90
100	0,90	1,25	2,00	865	185	160	95	130	5,40
120	0,90	1,25	2,00	865	185	160	95	130	5,50
125	0,90	1,25	2,00	865	185	160	95	130	5,60
140	0,90	1,25	2,00	980	225	200	115	130	6,50
150	0,90	1,25	2,00	980	225	200	115	130	6,40
160	0,90	1,25	2,00	980	225	200	115	130	6,40
180	0,90	1,25	2,00	1250	295	250	150	130	8,30
200	0,90	1,25	2,00	1250	295	250	150	130	8,50
225	0,90	1,50	2,00	1370	325	300	160	130	9,10
250	0,90	1,50	2,00	1400	350	300	175	130	9,80

Throttle valves, ø80-ø400 mm galvanised, manually operated

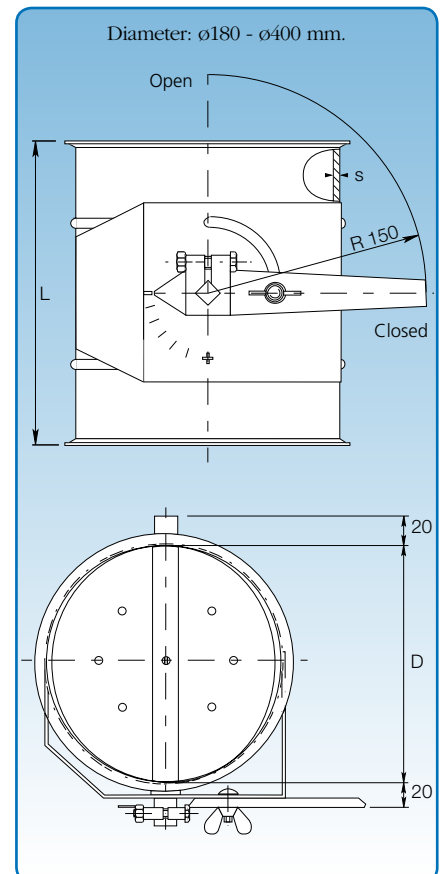
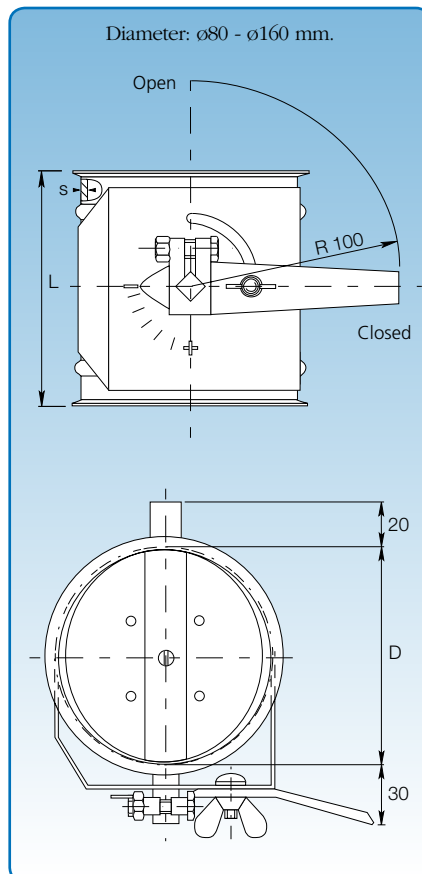
Technical catalogue: Duct systems
Section: 04
Page: 9/26
Revised: 01.01.2004

Diameter: ø80 – ø400 mm.

JKF's galvanised throttle valves are supplied with a regulating handle that indicates the damper position and allows for continuously variable settings between the open and closed positions.

The throttle valves have a maximum closure of 96%. The throttle valves are made from 0,90 mm galvanised sheet (s). The damper itself is made from double plate.

The throttle valves are made to order in larger dimensions.



Dimensional specifications

D mm	s mm	L mm	Weight kg
80	0,90	125	0,65
100	0,90	125	0,75
120	0,90	135	0,90
125	0,90	135	0,95
140	0,90	170	1,15
150	0,90	170	1,25
160	0,90	170	1,35
180	0,90	210	1,90
200	0,90	210	2,20
225	0,90	240	2,55
250	0,90	265	3,05
275	0,90	290	3,50
300	0,90	315	4,30
315	0,90	330	4,30
350	0,90	365	4,95
400	0,90	415	6,90

Throttle valves, ø80-ø160 mm galvanised, pneumatically operated

Technical catalogue: Duct systems
Section: 04
Page: 10/26
Revised: 01.01.2004

Diameter: ø80 – ø160 mm.

JKF's galvanised throttle valves are made from 0,90 mm galvanised sheet (s), and the damper itself is made from double plate.

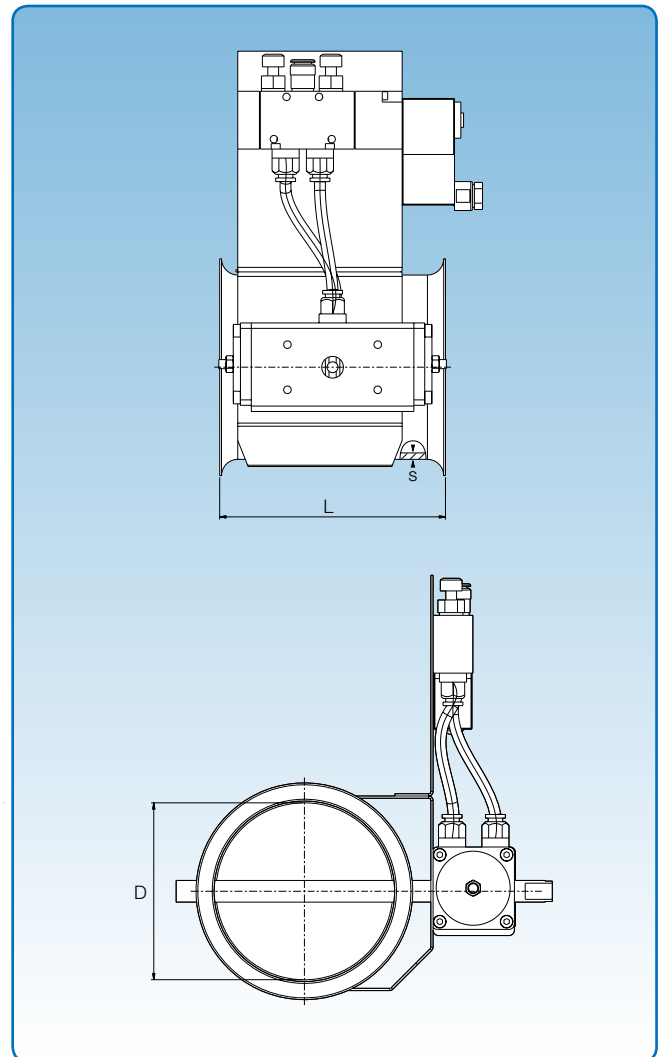
The damper is rotated by a pneumatic actuator that is controlled by an electric valve.

The solenoid valve is a 5/2 valve, monostable, with one electric coil, 230 V – 50/60 Hz. Pneumatics: 4 – 6 bar.

The throttle valves are equipped with natural rubber gaskets.

The position indicator showing the damper position is supplied as an accessory.

The solenoid valve is supplied as standard.



Dimensional specifications are given in the table below.

Dimensional specifications				
D mm	s mm	L mm	Weight kg	
80	0,90	125	1,90	
100	0,90	125	2,00	
120	0,90	135	2,15	
125	0,90	135	2,20	
140	0,90	170	2,40	
150	0,90	170	2,50	
160	0,90	170	2,60	

Throttle valves, ø180-ø400 mm galvanised, pneumatically operated

Technical catalogue: Duct systems
 Section: 04
 Page: 11/26
 Revised: 01.01.2004

Diameter: ø180 – ø400 mm.

JKF's galvanised throttle valves are made from 0,90 mm galvanised sheet (s), and the damper itself is made from double plate.

The damper is rotated by a pneumatic actuator that is controlled by an electric valve.

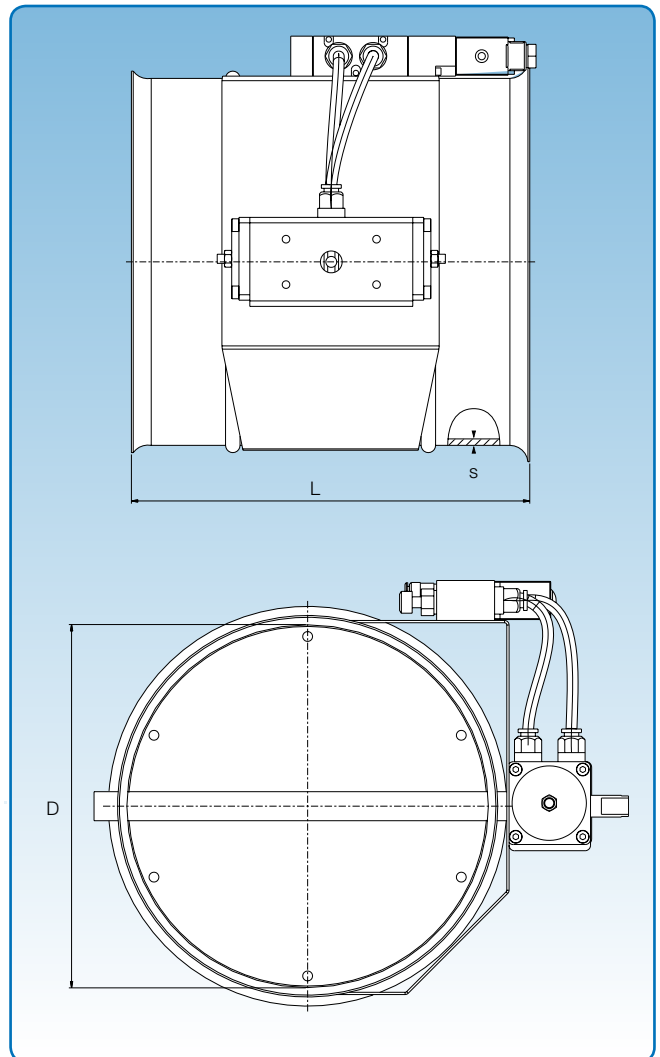
The solenoid valve is a 5/2 valve, monostable, with one electric coil, 230 V – 50/60 Hz. Pneumatics: 4 – 6 bar.

The throttle valves are equipped with natural rubber gaskets.

The position indicator showing the damper position is supplied as an accessory.

The solenoid valve is supplied as standard.

The throttle valves are made to order in larger dimensions.



Dimensional specifications are given in the table below.

Dimensional specifications				
D mm	s mm	L mm	Weight kg	
180	0,90	210	2,85	
200	0,90	210	3,15	
225	0,90	240	3,60	
250	0,90	265	4,00	
275	0,90	290	4,50	
300	0,90	315	5,20	
315	0,90	330	5,50	
350	0,90	365	6,15	
400	0,90	415	8,10	

Throttle valves, ø80-ø160 mm galvanised, electrically operated

Technical catalogue: Duct systems
Section: 04
Page: 12/26
Revised: 01.01.2004

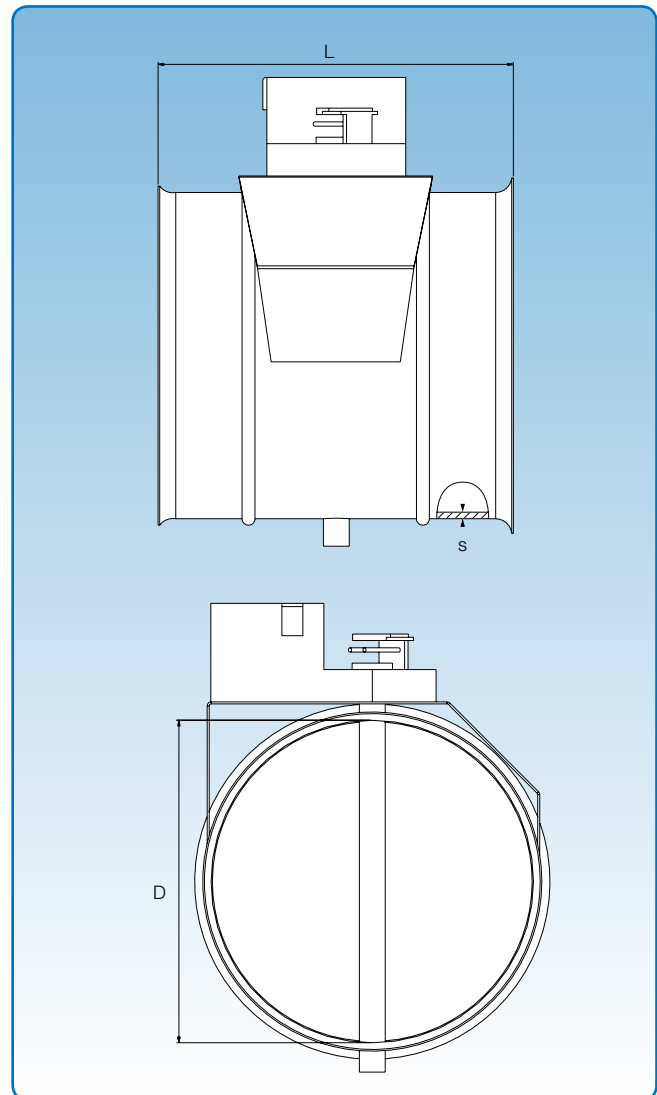
Diameter: ø80 – ø160 mm.

JKF's galvanised throttle valves are made from 0,90 mm galvanised sheet (s), and the damper itself is made from double plate and equipped with natural rubber gaskets.

The damper is rotated by an electric motor that is activated by a change-over switch.

The position indicator showing the damper position is supplied as an accessory.

Electric connection is 230 V – 50 Hz or 24 V DC.



Dimensional specifications are given in the table below.

Dimensional specifications				
D mm	s mm	L mm	Weight kg	
80	0,90	125	1,60	
100	0,90	125	1,70	
120	0,90	135	1,85	
125	0,90	135	1,90	
140	0,90	170	2,10	
150	0,90	170	2,20	
160	0,90	170	2,30	

Throttle valves, ø180-ø400 mm galvanised, electrically operated

Technical catalogue: Duct systems
 Section: 04
 Page: 13/26
 Revised: 01.01.2004

Diameter: ø180 – ø400 mm.

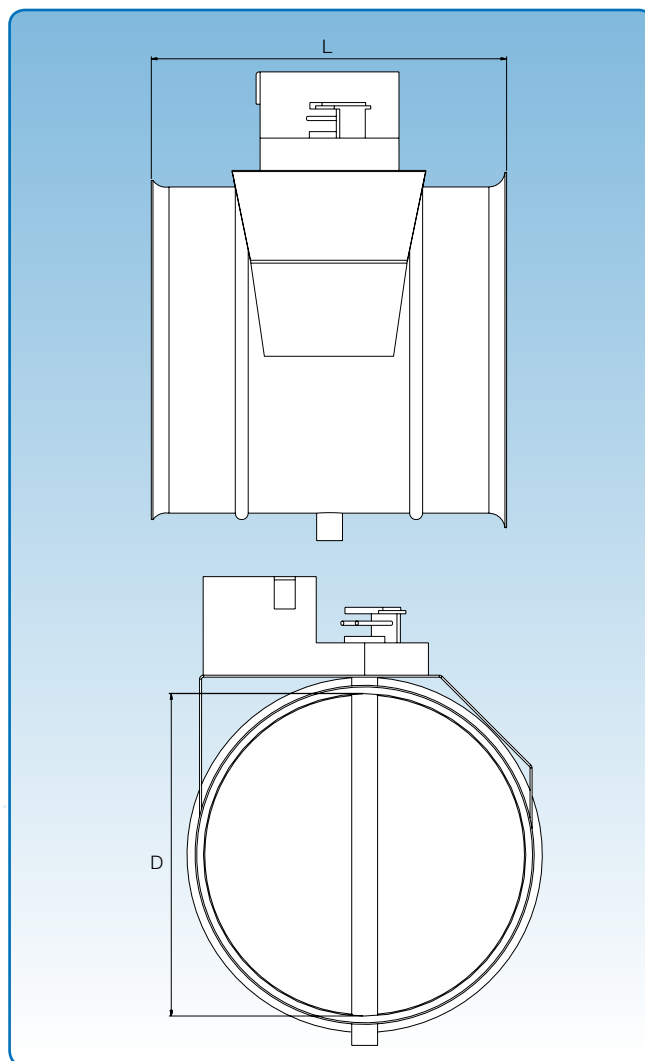
JKF's galvanised throttle valves are made from 0,90 mm galvanised sheet (s), and the damper itself is made from double plate and equipped with natural rubber gaskets.

The damper is rotated by an electric motor that is activated by a change-over switch.

The position indicator showing the damper position is supplied as an accessory.

Electric connection is 230 V – 50 Hz or 24 V DC.

The throttle valves are made to order in larger dimensions.



Dimensional specifications are given in the table below.

Dimensional specifications				
D mm	s mm		L mm	Weight kg
180	0,90		210	3,55
200	0,90		210	3,85
225	0,90		240	4,20
250	0,90		265	5,05
275	0,90		290	5,50
300	0,90		315	6,30
315	0,90		330	6,50
350	0,90		365	7,15
400	0,90		415	9,10

60° branch diverters, pressed, manually operated

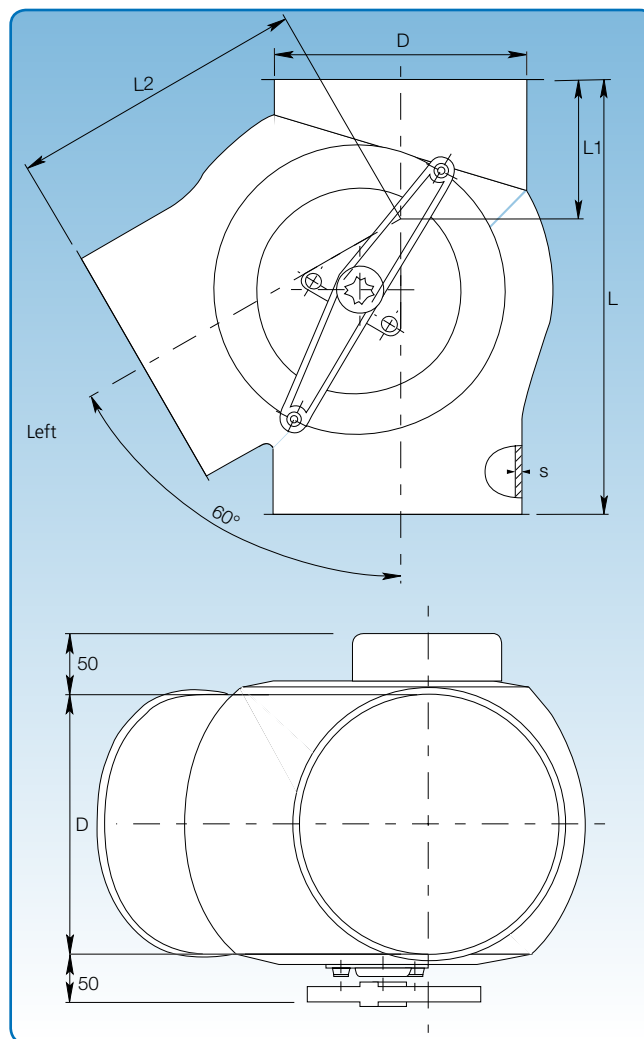
Technical catalogue: Duct systems
 Section: 04
 Page: 14/26
 Revised: 01.01.2004

Diameter: $\phi 100 - \phi 300$ mm.

JKF's 60° pressed branch diverters are manually operated and designed for falling and directional transport.

The branch diverters are pressed from 1,50 and 2,00 mm steel plate (s) with a standard 2,00 mm damper suspended in brass bearings.

Unless otherwise specified the branch diverters are supplied with left-hand mounting.

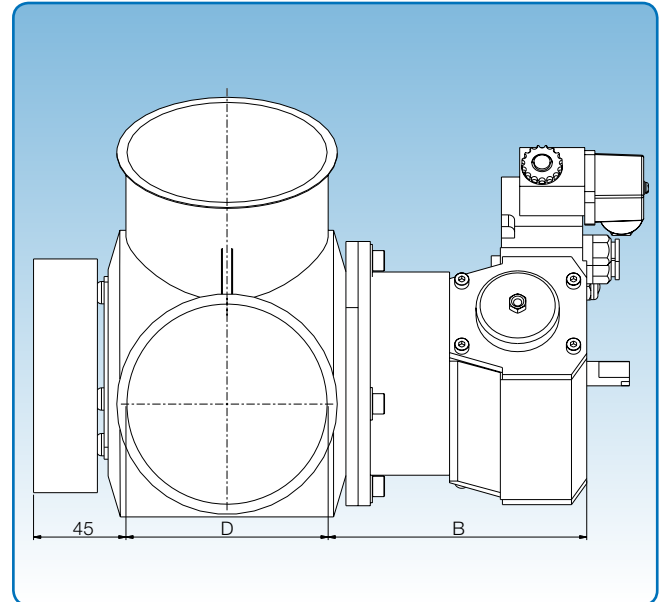
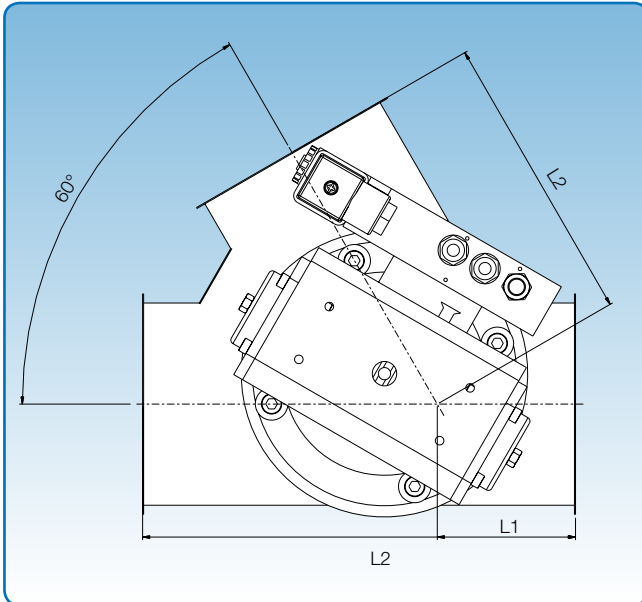


Dimensional specifications are given in the table below.

Dimensional specifications						
D mm	s mm	L mm	L1 mm	L2 mm	Weight kg	
100	1,50	210	70	145	2,20	
120	1,50	400	160	240	6,00	
125	1,50	260	90	170	4,00	
150	2,00	290	100	190	5,70	
160	2,00	320	95	225	6,10	
180	2,00	510	195	315	11,00	
200	2,00	345	110	230	8,30	
250	2,00	415	135	270	13,10	
300	2,00	475	160	325	19,30	

60° branch diverters, pressed, pneumatically operated

Technical catalogue: Duct systems
 Section: 04
 Page: 15/26
 Revised: 01.01.2004



Dimensional specifications are given in the table below.

Diameter: $\varnothing 100 - \varnothing 300$ mm.

JKF's 60° pressed branch diverters are pneumatically operated and designed for falling and directional transport. The branch diverters are pressed from 1,50 and 2,00 mm steel plate (s) with a standard 2,00 mm damper suspended in brass bearings. The damper is rotated by a pneumatic actuator that is controlled by an electric valve.

The solenoid valve is a 5/2 valve, monostable, with one electric coil, 230 V – 50/60 Hz. Pneumatics: 4 – 6 bar.

The position indicator showing the damper position is supplied as an accessory.

Dimensional specifications						
D mm	s mm	B mm	L1 mm	L2 mm	Weight kg	
100	1,50	145	70	145	5,00	
120	1,50	145	160	240	7,80	
125	1,50	145	90	170	6,90	
150	2,00	145	100	190	8,80	
160	2,00	145	95	225	8,50	
180	2,00	145	195	315	13,70	
200	2,00	145	110	230	10,90	
250	2,00	185	135	270	18,40	
300	2,00	185	160	325	24,50	

60° branch diverters, pressed, electrically operated

Technical catalogue: Duct systems
 Section: 04
 Page: 16/26
 Revised: 01.01.2004

Diameter: $\phi 100 - \phi 300$ mm.

JKF's 60° pressed branch diverters are electrically operated and designed for falling and directional transport.

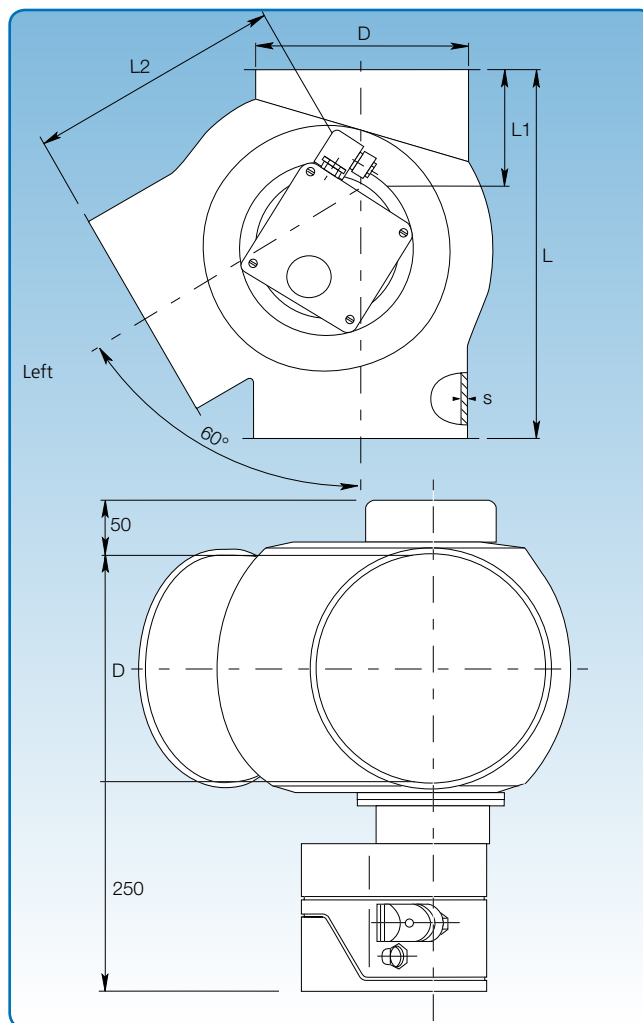
The branch diverters are pressed from 1,50 and 2,00 mm steel plate (s) with a standard 2,00 mm damper suspended in brass bearings.

The damper is rotated by an electric motor that is activated by a change-over switch.

Electric connection is 230 V – 50 Hz or 24 V DC.

The position indicator showing the damper position is supplied as standard.

Unless otherwise specified the branch diverters are supplied with left-hand mounting.



Dimensional specifications are given in the table below.

Dimensional specifications						
D mm	s mm	L mm	L1 mm	L2 mm	Weight kg	
100	1,50	215	70	145	6,90	
120	1,50	400	160	240	10,70	
125	1,50	260	90	170	8,70	
150	2,00	290	100	190	10,40	
160	2,00	320	95	225	10,80	
180	2,00	510	195	315	15,70	
200	2,00	340	110	230	13,00	
250	2,00	405	135	270	19,30	
300	2,00	485	160	325	25,50	

45° branch diverters, pressed, manually operated

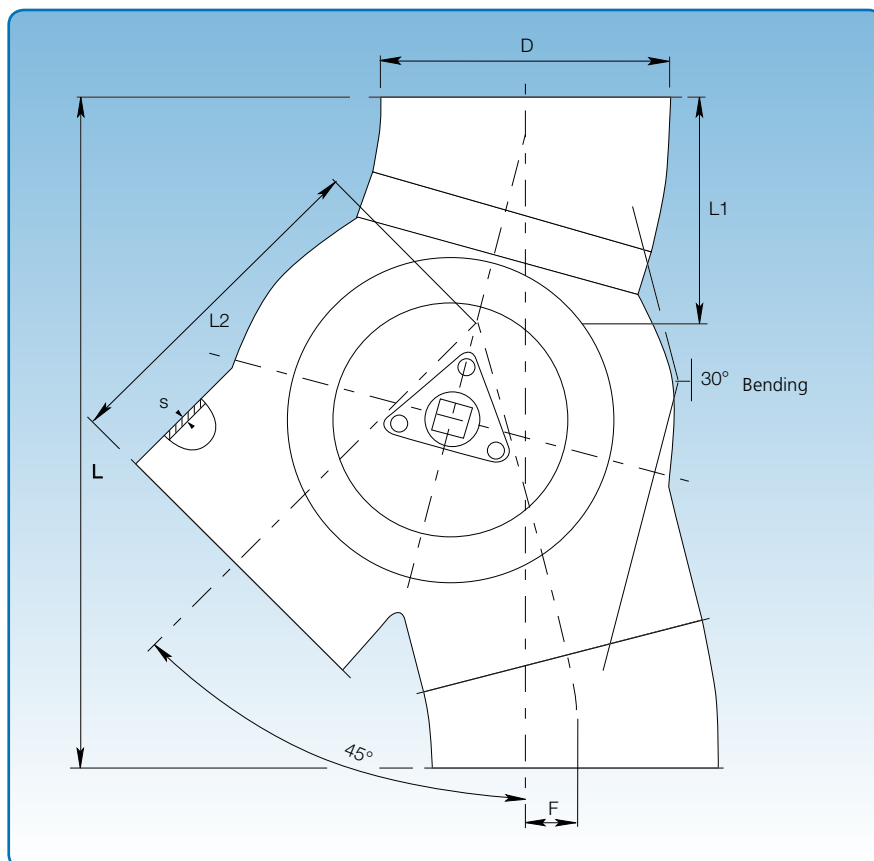
Technical catalogue: Duct systems
 Section: 04
 Page: 17/26
 Revised: 01.01.2004

Diameter $\phi 100 - \phi 300$ mm.

JKF's 45° pressed branch diverters are manually operated and designed for fitting in connection with the use of bends. The example shown is composed of a trouser diverter and 2 x 15° bends.

The branch diverters are pressed from 1,50 and 2,00 mm steel plate (s) with a standard 2,00 mm damper suspended in brass bearings.

Unless otherwise specified the branch diverters are supplied with left-hand mounting.

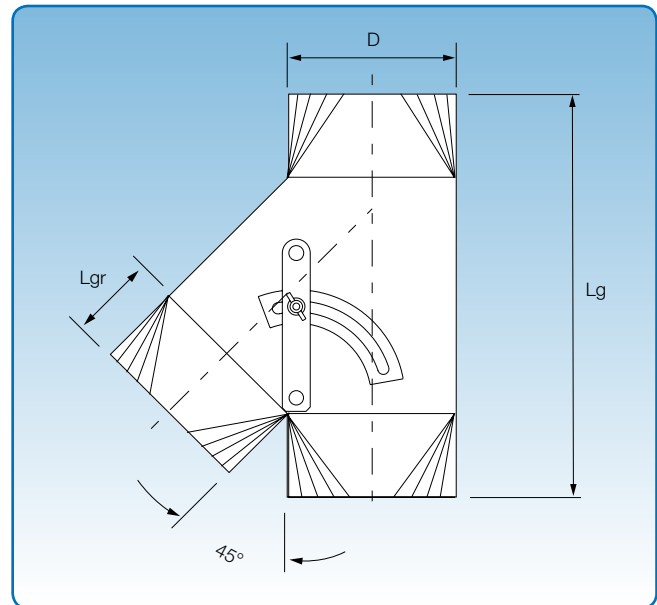
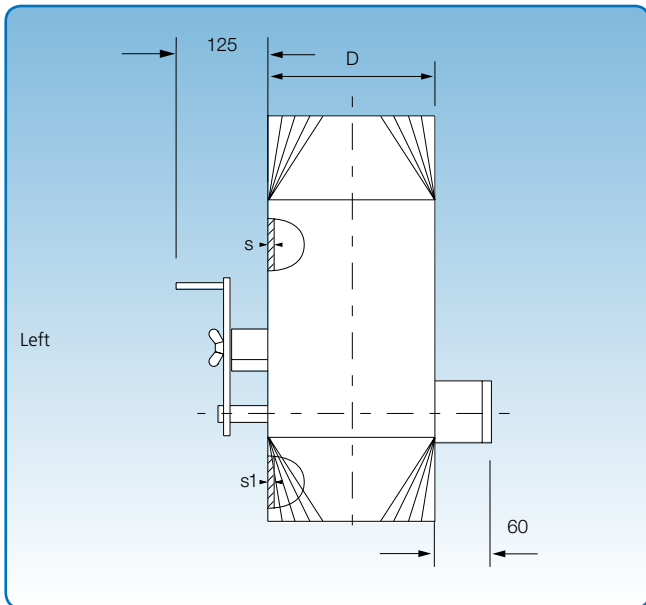


Dimensional specifications are given in the table below.

Dimensional specifications							
D mm	s mm	F mm	L mm	L1 mm	L2 mm	Weight kg	
100	1,50	25	270	100	145	2,80	
120	1,50	25	380	145	240	5,90	
125	1,50	25	335	120	170	5,30	
150	2,00	30	375	135	190	7,80	
160	2,00	40	410	130	225	7,80	
180	2,00	40	600	230	315	13,40	
200	2,00	40	455	155	230	11,30	
250	2,00	35	550	190	270	17,70	
300	2,00	55	660	230	325	25,90	

45° branch diverters, welded, manually operated

Technical catalogue: Duct systems
 Section: 04
 Page: 18/26
 Revised: 01.01.2004



Diameter: $\varnothing 100 - 550$ mm.

Dimensional specifications are given in the table below.

JKF's 45° welded branch diverters are manually operated and designed for falling and pneumatic transport.

The branch diverters can be supplied with rubber gasket on the damper for pneumatic transport.

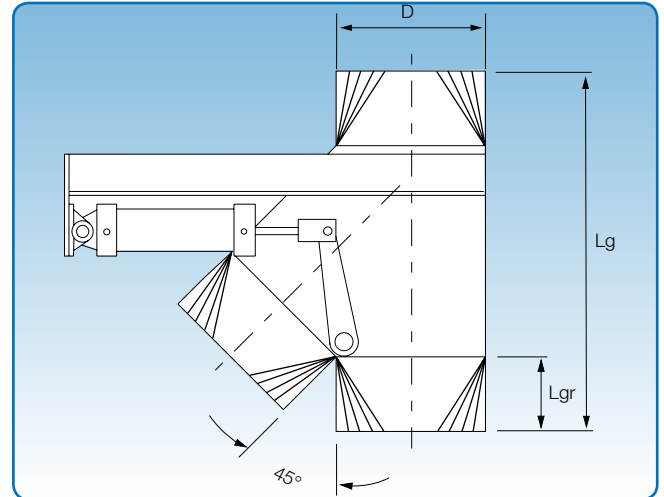
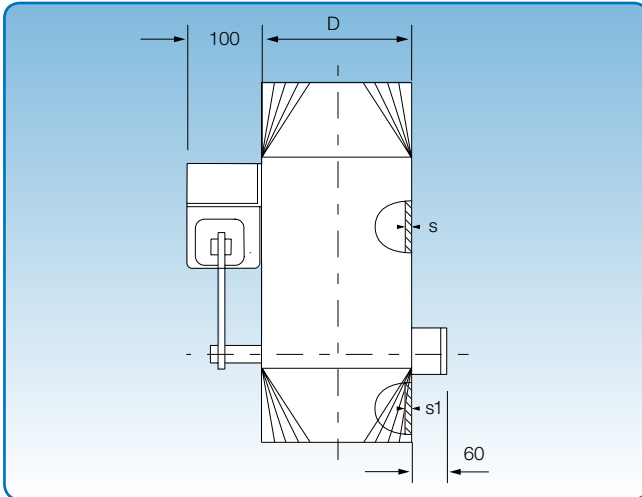
The branch diverters are welded from 2,00 to 4,00 mm steel plate (s and s1) with a standard 4,00 to 6,00 mm damper suspended in bushes with nylon bearings.

The branch diverters are supplied as standard with left branch.

Dimensional specifications						
D mm	s mm	s1 mm	Damper mm	Lg mm	Lgr mm	Weight kg
100	3,00	2,00	4,00	360	105	2,55
120	3,00	2,00	4,00	400	110	3,15
125	3,00	2,00	4,00	400	110	3,25
150	3,00	2,00	5,00	495	145	4,55
160	3,00	2,00	5,00	495	145	4,65
180	3,00	2,00	5,00	560	145	8,40
200	3,00	2,00	5,00	560	145	8,45
250	3,00	2,00	5,00	855	250	14,10
300	3,00	2,00	5,00	940	250	19,25
350	3,00	2,00	6,00	1000	250	23,90
400	3,00	2,00	6,00	1170	295	36,45
450	4,00	3,00	6,00	1225	295	40,85
500	4,00	3,00	6,00	1315	295	53,65
550	4,00	3,00	6,00	1490	345	66,55

45° branch diverters, welded, pneumatically operated

Technical catalogue: Duct systems
 Section: 04
 Page: 19/26
 Revised: 01.01.2004



Dimensional specifications are given in the table below.

Diameter: $\varnothing 100 - \varnothing 550$ mm.

JKF's 45° welded branch diverters are pneumatically operated and designed for falling and pneumatic transport.

The branch diverters can be supplied with rubber gasket on the damper for pneumatic transport.

The branch diverters are welded from 2,00 to 4,00 mm steel plate (s and s1) with a standard 4,00 to 6,00 mm damper suspended in bushes with nylon bearings.

The damper is rotated by a pneumatic cylinder that is controlled by an electric valve.

The solenoid valve is a 5/2 valve, monostable, with one electric coil, 230 V – 50/60 Hz. Pneumatics: 4 – 6 bar.

The branch diverters are supplied as standard with left branch.

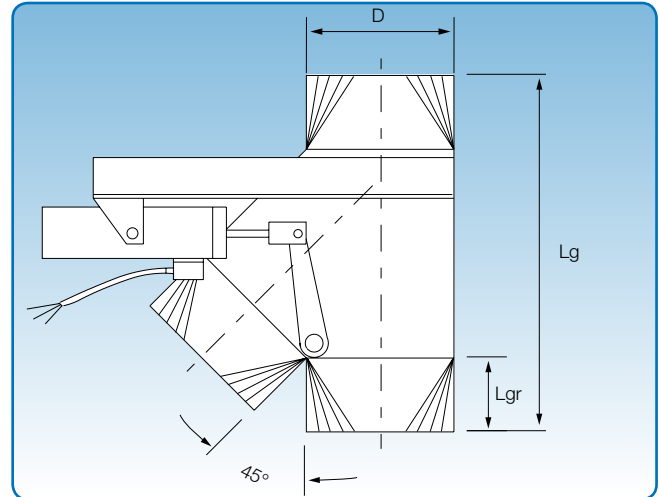
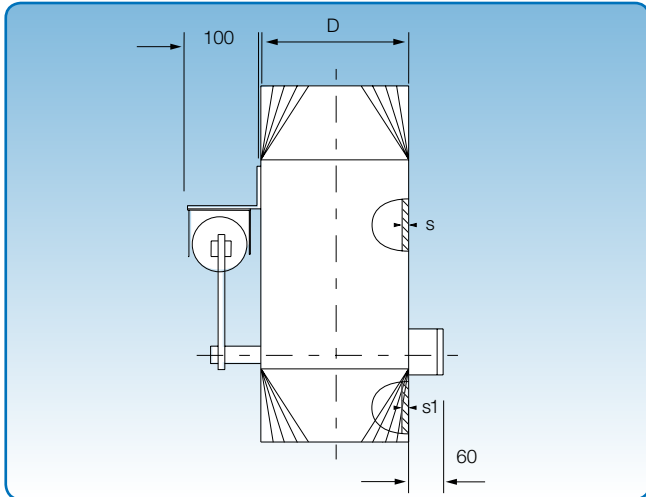
The position indicator showing the damper position is supplied as an accessory.

Dimensional specifications

D mm	s mm	s1 mm	Damper mm	Lg mm	Lgr mm	Weight kg
100	3,00	2,00	4,00	360	105	6,55
120	3,00	2,00	4,00	400	110	7,15
125	3,00	2,00	4,00	400	110	7,25
150	3,00	2,00	5,00	495	145	9,05
160	3,00	2,00	5,00	495	145	9,15
180	3,00	2,00	5,00	560	145	12,90
200	3,00	2,00	5,00	560	145	13,45
250	3,00	2,00	5,00	855	250	19,10
300	3,00	2,00	5,00	940	250	24,25
350	3,00	2,00	6,00	1000	250	28,90
400	3,00	2,00	6,00	1170	295	42,45
450	4,00	3,00	6,00	1225	295	46,85
500	4,00	3,00	6,00	1315	295	59,65
550	4,00	3,00	6,00	1490	345	74,55

45° branch diverters, welded, electrically operated

Technical catalogue: Duct systems
 Section: 04
 Page: 20/26
 Revised: 01.01.2004



Dimensional specifications are given in the table below.

Diameter: $\phi 100 - \phi 550$ mm.

JKF's 45° welded branch diverters are electrically operated and designed for falling and pneumatic transport.

The branch diverters can be supplied with rubber gasket on the damper for pneumatic transport.

The branch diverters are welded from 2,00 to 4,00 mm steel plate (s and s1) with a standard 4,00 to 6,00 mm damper suspended in bushes with nylon bearings.

The damper is rotated by an electric spindle motor that is activated by a change-over switch.

Electric connection is 230 V – 50 Hz or 24 V DC.

The branch diverters are supplied as standard with left branch.

The switch box with position indicator showing the damper position is supplied as an accessory.

Dimensional specifications							
D mm	s mm	s1 mm	Damper mm	Lg mm	Lgr mm	Weight kg	
100	3,00	2,00	4,00	360	105	6,55	
120	3,00	2,00	4,00	400	110	7,15	
125	3,00	2,00	4,00	400	110	7,25	
150	3,00	2,00	5,00	495	145	9,05	
160	3,00	2,00	5,00	495	145	9,15	
180	3,00	2,00	5,00	560	145	12,90	
200	3,00	2,00	5,00	560	145	13,45	
250	3,00	2,00	5,00	855	250	19,10	
300	3,00	2,00	5,00	940	250	24,25	
350	3,00	2,00	6,00	1000	250	28,90	
400	3,00	2,00	6,00	1170	295	42,45	
450	4,00	3,00	6,00	1225	295	46,85	
500	4,00	3,00	6,00	1315	295	59,65	
550	4,00	3,00	6,00	1490	345	74,55	

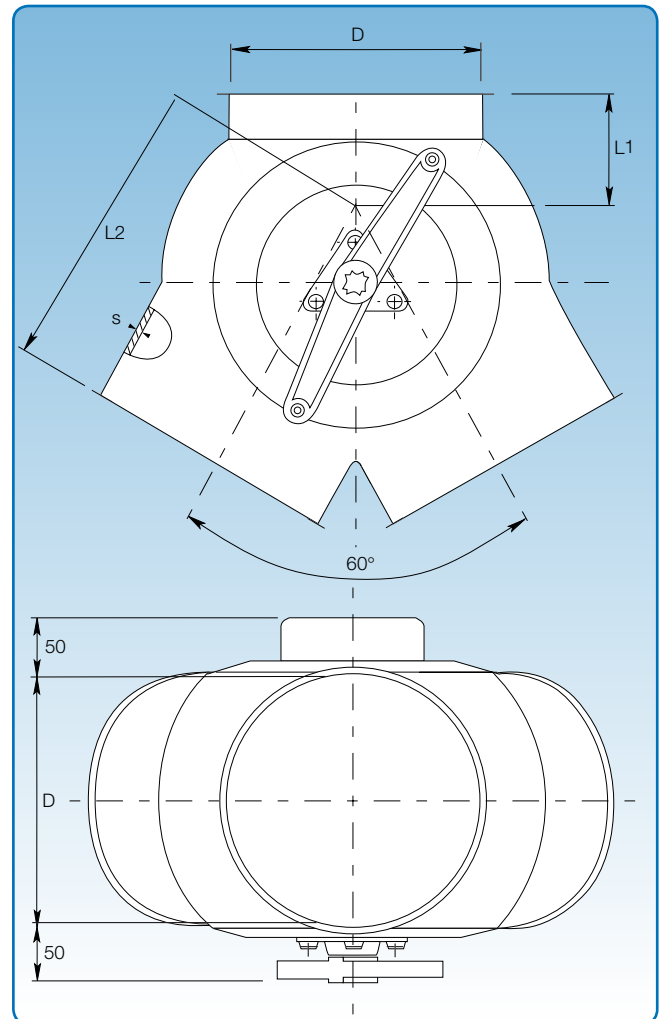
60° trouser diverters, pressed, manually operated

Technical catalogue: Duct systems
 Section: 04
 Page: 21/26
 Revised: 01.01.2004

Diameter: $\varnothing 100 - \varnothing 300$ mm.

JKF's 60° pressed trouser diverters are manually operated and designed for falling and directional transport.

The branch diverters are pressed from 1,50 and 2,00 mm steel plate (s) with a standard 2,00 mm damper suspended in brass bearings.

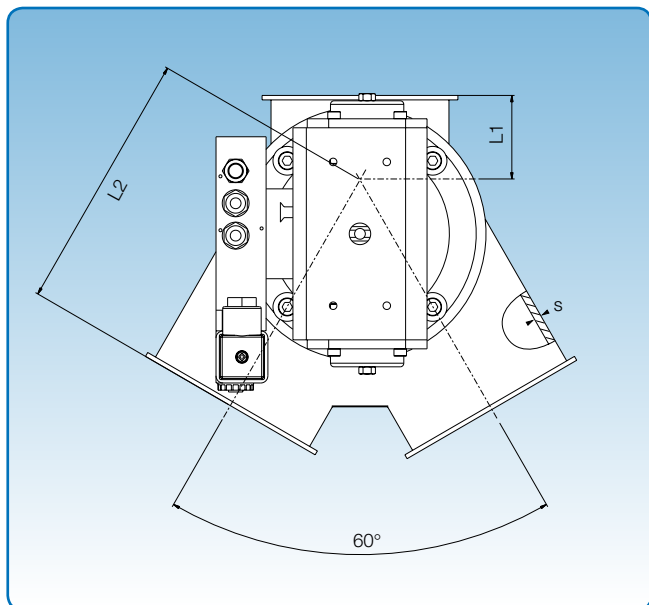


Dimensional specifications are given in the table below.

Dimensional specifications				
D mm	s mm	L1 mm	L2 mm	Weight kg
100	1,50	70	145	2,00
120	1,50	160	240	4,70
125	1,50	90	170	3,90
150	2,00	100	190	5,60
160	2,00	95	225	5,60
180	2,00	195	315	10,60
200	2,00	110	230	7,90
250	2,00	135	270	12,50
300	2,00	160	325	18,30

60° trouser diverters, pressed, pneumatically operated

Technical catalogue: Duct systems
 Section: 04
 Page: 22/26
 Revised: 01.01.2004

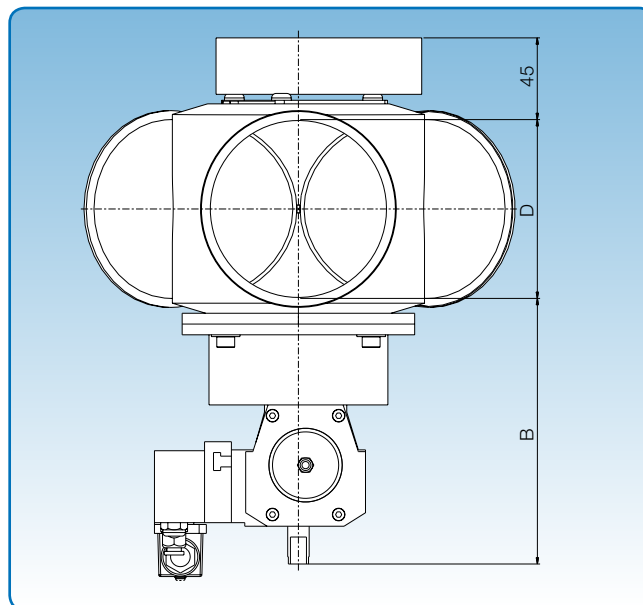


Dimensional specifications are given in the table below.

Diameter: $\varnothing 100 - \varnothing 300$ mm.

JKF's 60° pressed trouser diverters are pneumatically operated and designed for falling and directional transport.

The branch diverters are pressed from 1,50 and 2,00 mm steel plate (s) with a standard 2,00 mm damper suspended in brass bearings. The damper is rotated by a pneumatic actuator that is controlled by an electric valve.



The solenoid valve is a 5/2 valve, monostable, with one electric coil, 230 V – 50/60 Hz. Pneumatics: 4 – 6 bar.

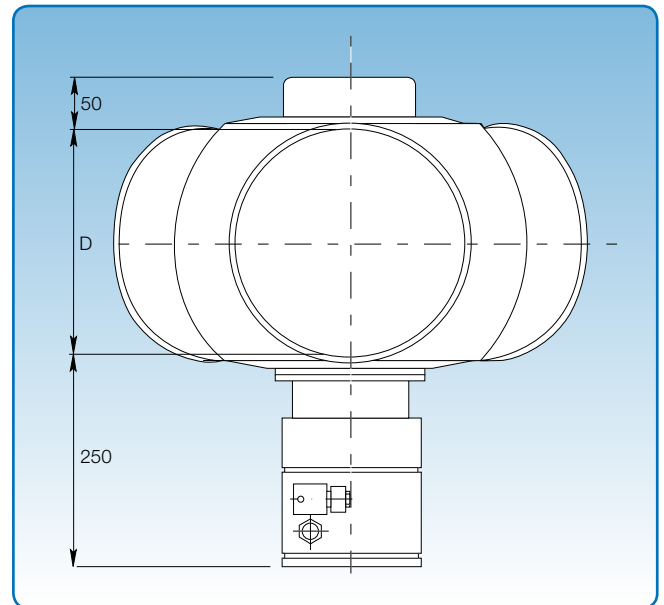
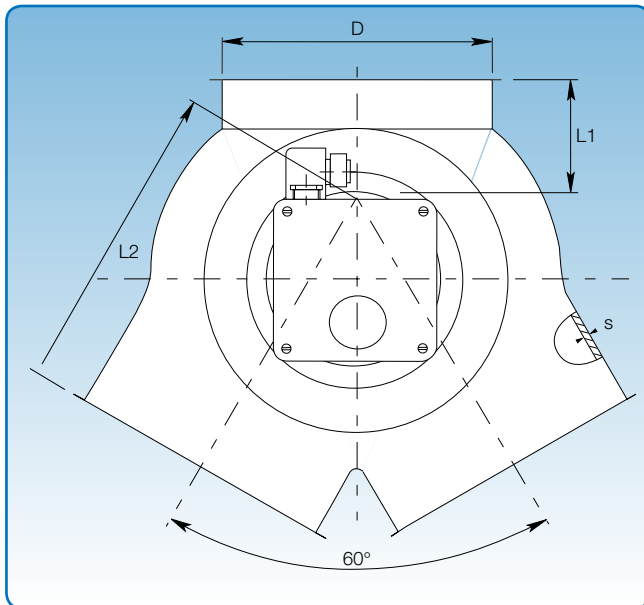
The position indicator showing the damper position is supplied as an accessory.

Dimensional specifications

D mm	s mm	B mm	L1 mm	L2 mm	Weight kg
100	1,50	145	70	145	5,20
120	1,50	145	160	240	9,00
125	1,50	145	90	170	7,00
150	2,00	145	100	190	8,70
160	2,00	145	95	225	9,10
180	2,00	145	195	315	14,00
200	2,00	145	110	230	11,30
250	2,00	185	135	270	19,00
300	2,00	185	160	325	25,20

60° trouser diverters, pressed, electrically operated

Technical catalogue: Duct systems
 Section: 04
 Page: 23/26
 Revised: 01.01.2004



Dimensional specifications are given in the table below.

Diameter: $\varnothing 100 - \varnothing 300$ mm.

JKF's 60° pressed trouser diverters are electrically operated and designed for falling and directional transport.

The branch diverters are pressed from 1,50 and 2,00 mm steel plate (s) with a standard 2,00 mm damper suspended in brass bearings. The damper is rotated by an electric motor that is activated by a change-over switch.

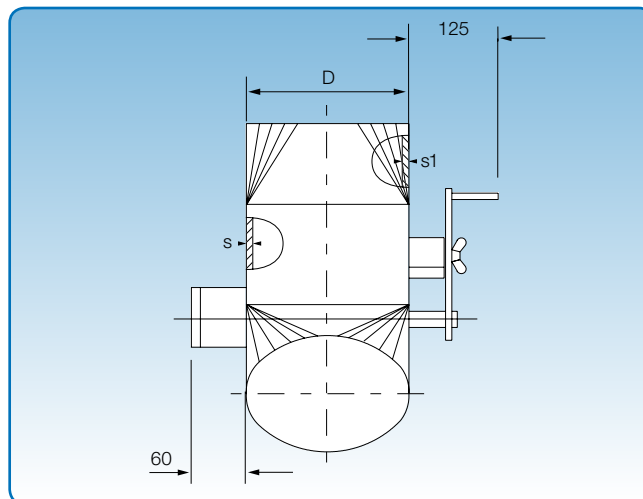
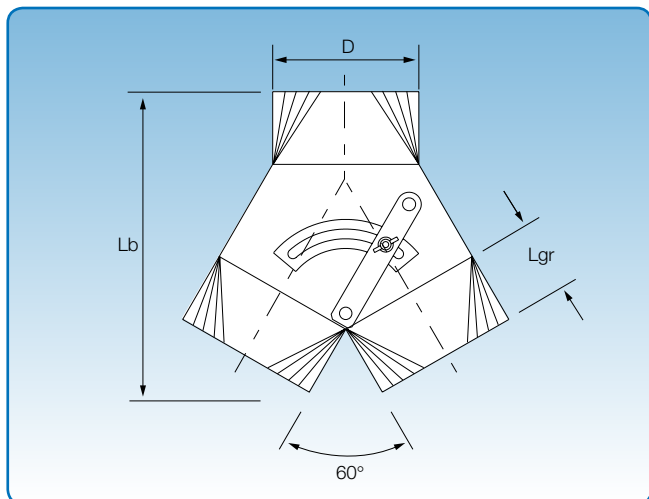
Electric connection is 230 V – 50 Hz or 24 V DC.

The position indicator showing the damper position is supplied as standard.

Dimensional specifications					
D mm	s mm	L1 mm	L2 mm	Weight kg	
100	1,50	70	145	6,70	
120	1,50	160	240	9,40	
125	1,50	90	170	8,60	
150	2,00	100	190	10,50	
160	2,00	95	225	10,30	
180	2,00	195	315	15,30	
200	2,00	110	230	12,60	
250	2,00	135	270	18,70	
300	2,00	160	325	24,50	

60° trouser diverters, welded, manually operated

Technical catalogue: Duct systems
 Section: 04
 Page: 24/26
 Revised: 01.01.2004



Dimensional specifications are given in the table below.

Diameter: $\phi 100 - \phi 550$ mm.

JKF's 60° welded trouser diverters are manually operated and designed for falling and pneumatic transport.

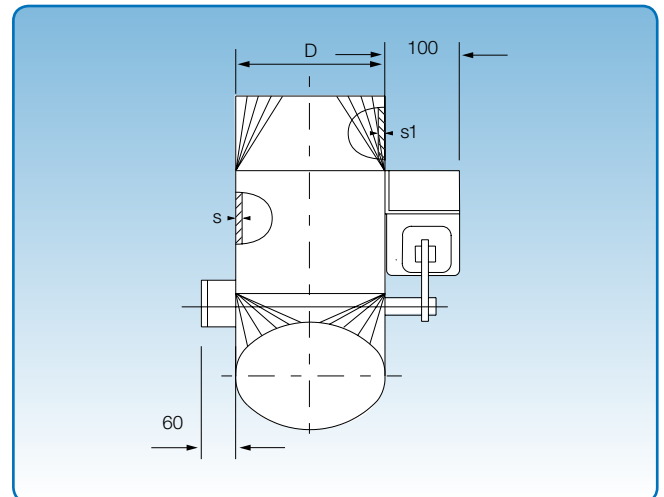
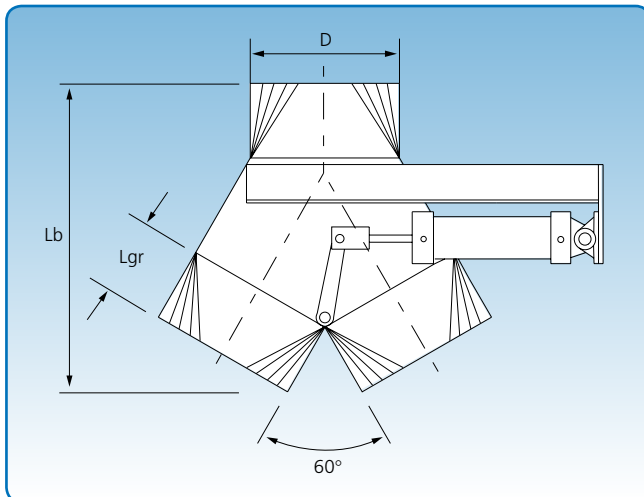
The trouser diverters can be supplied with rubber gasket on the damper for pneumatic transport.

The trouser diverters are welded from 2,00 to 4,00 mm steel plate (s and s1) with a standard 4,00 to 6,00 mm damper suspended in bushes with nylon bearings.

Dimensional specifications							
D mm	s mm	s1 mm	Damper mm	Lb mm	Lgr mm	Weight kg	
100	3,00	2,00	4,00	305	105	2,55	
120	3,00	2,00	4,00	330	110	3,15	
125	3,00	2,00	4,00	330	110	3,25	
150	3,00	2,00	5,00	455	145	4,55	
160	3,00	2,00	5,00	455	145	4,65	
180	3,00	2,00	5,00	525	145	8,40	
200	3,00	2,00	5,00	525	145	8,45	
250	3,00	2,00	5,00	820	250	14,10	
300	3,00	2,00	5,00	900	250	19,25	
350	3,00	2,00	6,00	880	250	23,90	
400	3,00	2,00	6,00	930	295	36,45	
450	4,00	3,00	6,00	965	295	40,85	
500	4,00	3,00	6,00	1040	295	53,65	
550	4,00	3,00	6,00	1170	345	66,55	

60° trouser diverters, welded, pneumatically operated

Technical catalogue: Duct systems
 Section: 04
 Page: 25/26
 Revised: 01.01.2004



Dimensional specifications are given in the table below.

Diameter: $\varnothing 100 - \varnothing 550$ mm.

JKF's 60° welded trouser diverters are pneumatically operated and designed for falling and pneumatic transport.

The trouser diverters can be supplied with rubber gasket on the damper for pneumatic transport.

The trouser diverters are welded from 2,00 to 4,00 mm steel plate (s and s1) with a standard 4,00 to 6,00 mm damper suspended in bushes with nylon bearings.

The damper is rotated by a pneumatic cylinder that is controlled by an electric valve.

The solenoid valve is a 5/2 valve, monostable, with one electric coil, 230 V – 50/60 Hz. Pneumatics: 4 – 6 bar.

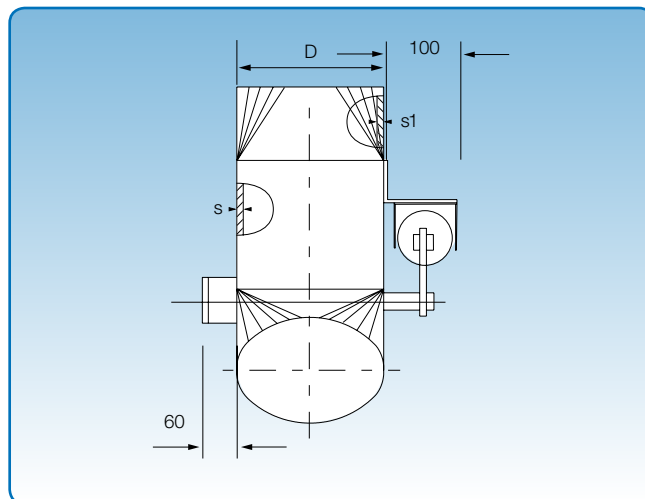
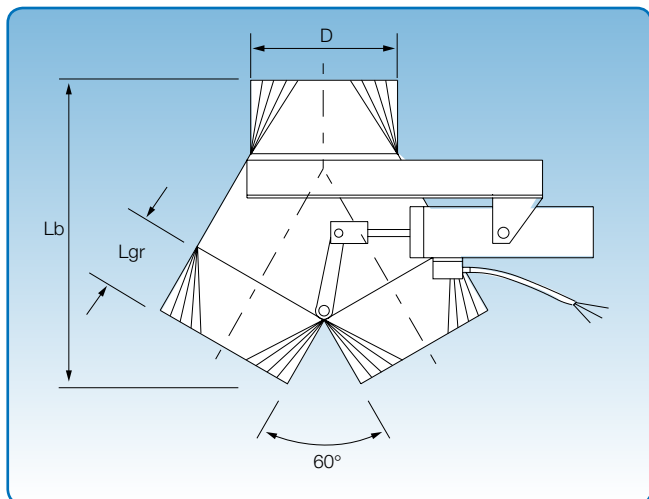
The position indicator showing the damper position is supplied as an accessory.

Dimensional specifications

D mm	s mm	s1 mm	Damper mm	Lb mm	Lgr mm	Weight kg
100	3,00	2,00	4,00	360	105	6,55
120	3,00	2,00	4,00	400	110	7,15
125	3,00	2,00	4,00	400	110	7,25
150	3,00	2,00	5,00	495	145	9,05
160	3,00	2,00	5,00	495	145	9,15
180	3,00	2,00	5,00	560	145	12,90
200	3,00	2,00	5,00	560	145	13,45
250	3,00	2,00	5,00	855	250	19,10
300	3,00	2,00	5,00	940	250	24,25
350	3,00	2,00	6,00	1000	250	28,90
400	3,00	2,00	6,00	1170	295	42,45
450	4,00	3,00	6,00	1225	295	46,85
500	4,00	3,00	6,00	1315	295	59,65
550	4,00	3,00	6,00	1490	345	74,55

60° trouser diverters, welded, electrically operated

Technical catalogue: Duct systems
 Section: 04
 Page: 26/26
 Revised: 01.01.2004



Dimensional specifications are given in the table below.

Diameter: $\phi 100 - \phi 550$ mm.

JKF's 60° welded trouser diverters are electrically operated and designed for falling and pneumatic transport.

The trouser diverters can be supplied with rubber gasket on the damper for pneumatic transport.

The trouser diverters are welded from 2,00 to 4,00 mm steel plate (s and s1) with a standard 4,00 to 6,00 mm damper suspended in bushes with nylon bearings.

The damper is rotated by an electric spindle motor that is activated by a change-over switch.

Electric connection is 230 V – 50 Hz or 24 V DC.

The switch box with position indicator showing the damper position is supplied as an accessory.

Dimensional specifications

D mm	s mm	s1 mm	Damper mm	Lb mm	Lgr mm	Weight kg
100	3,00	2,00	4,00	305	105	6,55
120	3,00	2,00	4,00	330	110	7,15
125	3,00	2,00	4,00	330	110	7,25
150	3,00	2,00	5,00	455	145	9,05
160	3,00	2,00	5,00	455	145	9,15
180	3,00	2,00	5,00	525	145	12,90
200	3,00	2,00	5,00	525	145	13,45
250	3,00	2,00	5,00	820	250	19,10
300	3,00	2,00	5,00	900	250	24,25
350	3,00	2,00	6,00	880	250	28,90
400	3,00	2,00	6,00	930	295	42,45
450	4,00	3,00	6,00	965	295	46,85
500	4,00	3,00	6,00	1040	295	59,65
550	4,00	3,00	6,00	1170	345	74,55