

Fan types BL-400 and BL-500

Technical catalogue: Fan systems
 Section: 06
 Page: 1/3
 Revised: 01.04.2005

The direct drive fan types BL-400 and BL-500 are designed for transport of clean air.

Equipped with self-cleaning impellers with backward-inclined blades. The aerodynamic intake is manufactured in aluminium and thus ensures anti-spark operation.

The fan housing and impeller are manufactured from 2 mm galvanised plate.

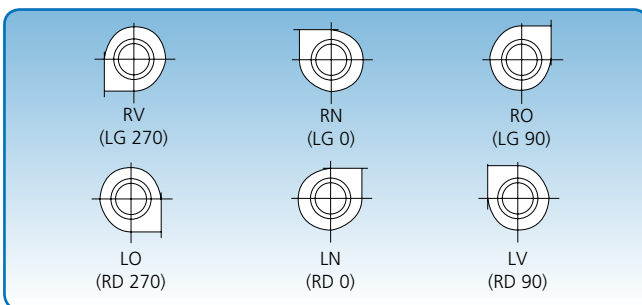
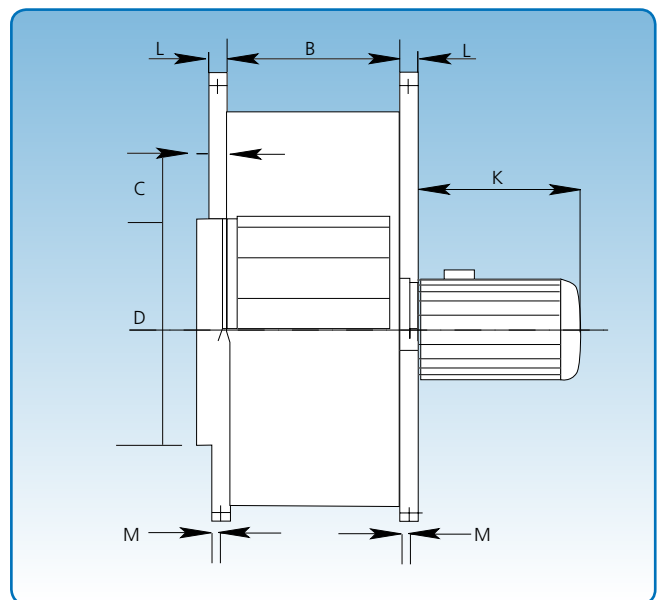
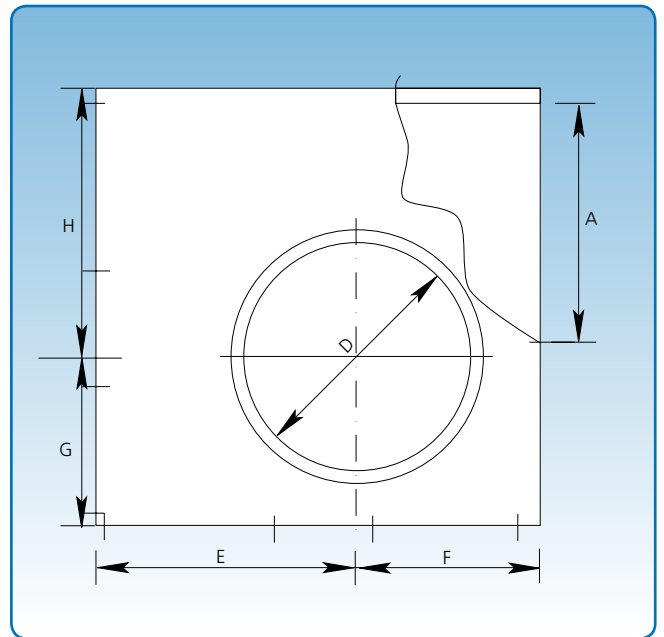
Max. operating temperature: 60°C

Can be supplied with explosion-proof (Ex) motor.

Dimensions (D) for the inlet are external. Supplied smooth.

Specific dimensions for outlet flanges can be found under "Flanges".

The technical data for each type appears on the following pages.



3 positions. The position illustrations are viewed from the inlet side.

Type	Dimensions											Weight without motor kg
	A mm	B mm	C mm	D mm	E mm	F mm	G mm	H mm	K mm	L mm	M mm	
BL-400	400	310	55	400	425	365	340	450	285	27	14	59
BL-500	500	394	55	500	534	474	416	592	354	27	14	86

Fan type BL-400

Technical data

Technical catalogue: Fan systems
 Section: 06
 Page: 2/3
 Revised: 01.04.2005

Motor: IP 55

Supplied with the following motors:

kW	hp	amp.	Weight of motor kg
1,5	2,0	6,0	15
2,2	3,0	8,5	22

Max. RPM:

Standard impeller: 1,430 RPM

Operating range:

Air volume: 2,500 – 5,500 m³/h

Pressure: 45 – 65 mm WG

Power supply:

230 V - 50 Hz.

Construction:

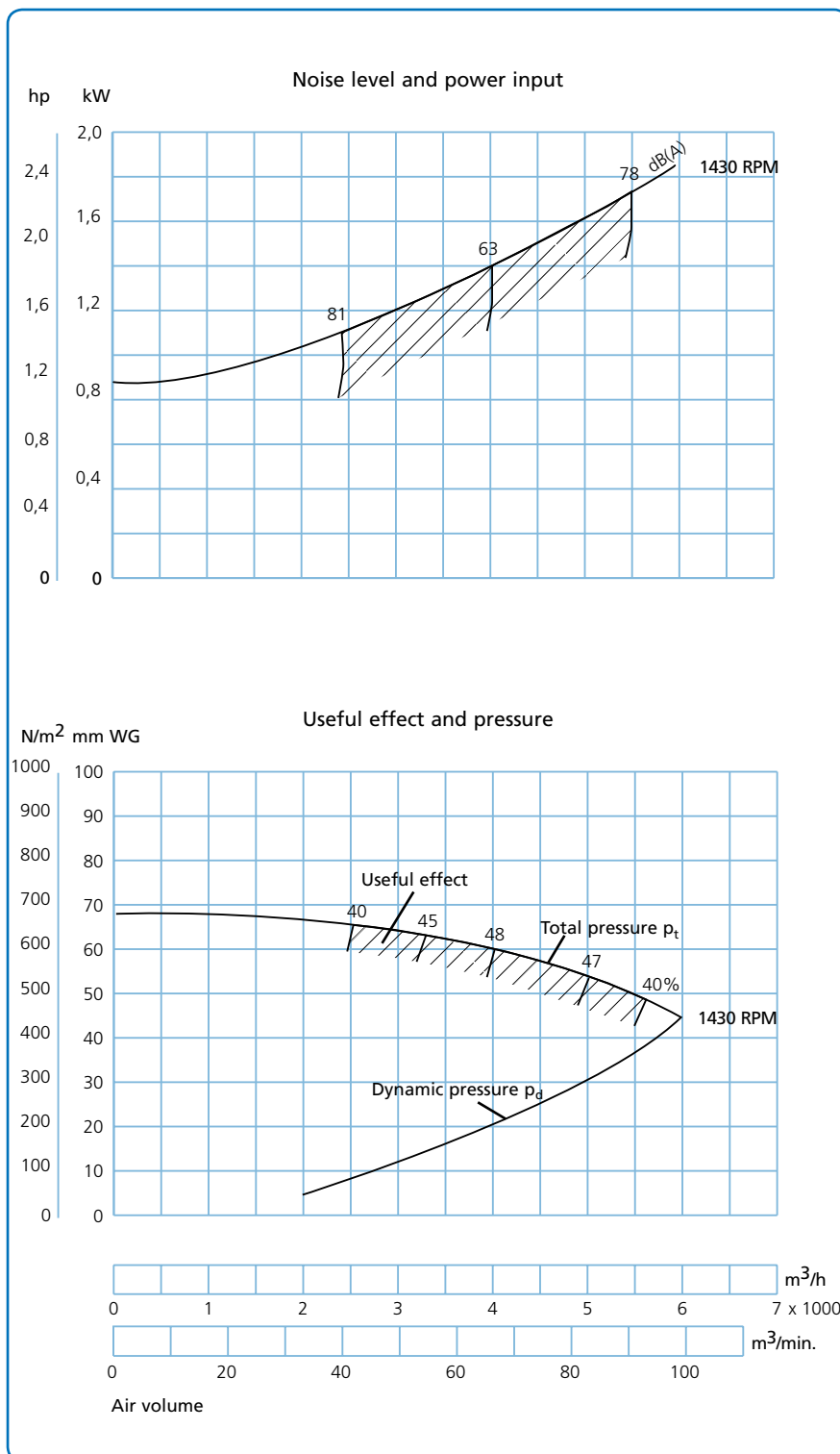
B5 – flange motor.

Impeller:

No. of blades, standard: 12 pcs.

Diameter: ø405 mm

Height: 180 mm



Fan type BL-500

Technical data

Technical catalogue: Fan systems
 Section: 06
 Page: 3/3
 Revised: 01.04.2005

Motor: IP 55

Supplied with the following motors:

kW	hp	amp.	Weight of motor kg
3,0	4,0	6,5	25
4,0	5,5	8,3	31

Max. RPM:

Standard impeller: 1,430 RPM

Operating range:

Air volume: 5,000 – 11,000 m³/h

Pressure: 50 – 70 mm WG

Power supply:

3,0 kW: 230 V - 50 Hz.

4,0 kW: 400 V - 50 Hz.

Construction:

B5 – flange motor.

Impeller:

No. of blades, standard: 12 pcs.

Diameter: ø470 mm

Height: 215 mm

