

Fan types JK-30K - JK-75K

Technical catalogue: Fan systems
 Section: 02
 Page: 1/6
 Revised: 01.04.2005

The indirect drive centrifugal fan types JK-30K - JK-75K are designed for material handling.

Equipped with self-cleaning impellers with backward-inclined blades and aerodynamic intake. The impellers are statically and dynamically balanced.

The pulleys are shaft-mounted with taperlock bushing, allowing easy replacement for changed fan speed.

Max. operating temperature: 60°C

With cooling wings: Up to 200°C

Number of blades are reduced by 2 for paper impeller.

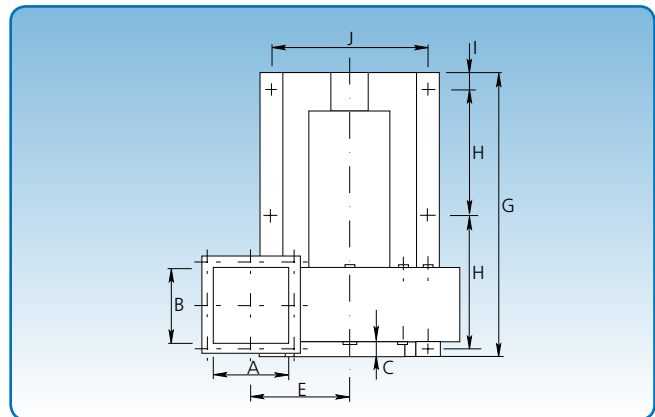
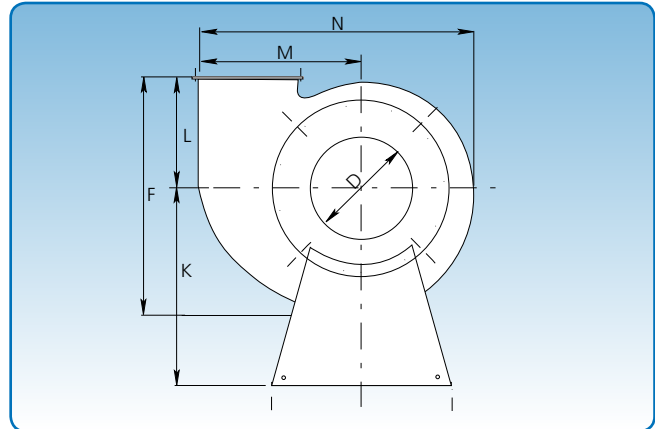
Available in anti-spark version with stainless steel inlet and explosion-proof (Eex) motor.

Dimensions (D) for the inlet are external. Supplied smooth.

Belt drive is anti-static.

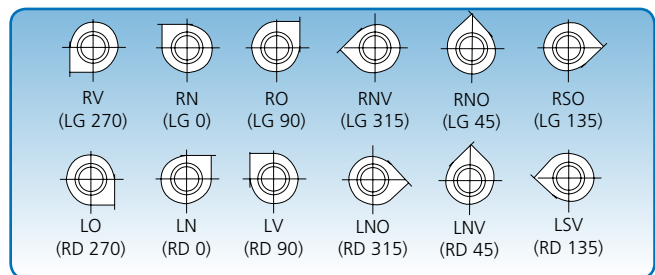
Specific dimensions for the outlet flanges can be found under "Flanges".

The technical data for each type appears on the following pages.



Steel plate dimensions in mm

Type	JK-30K	JK-40K - JK-45K	JK-55K - JK-75K
Impeller - standard	4	5	6
Impeller - reinforced	8	8	8
Fan housing - standard	3	3	4
Fan housing - reinforced	6	8	8



6 positions. The position illustrations are viewed from the inlet side.

Type	Dimensions														Weight without motor kg
	A mm	B mm	C mm	D mm	E mm	F mm	G mm	H mm	I mm	J mm	K mm	L mm	M mm	N mm	
JK-30K	206	206	36	300	267	631	860	370	55	430	550	293	377	676	79
JK-40K	250	250	55	400	330	740	1110	494	55	550	650	326	462	824	200
JK-45K	339	339	55	450	395	885	1207	528	55	672	720	375	570	1013	300
JK-55K	418	418	60	550	500	1095	1540	700	59	825	955	468	715	1250	532
JK-75K	700	550	60	750	442	1310	1875	855	70	850	1125	600	800	1410	597

Fan type JK-30K

Technical data

Technical catalogue: Fan systems
 Section: 02
 Page: 2/6
 Revised: 01.04.2005

Motor: IP 55

Supplied with the following motors:

kW	hp	amp.	Weight of motor kg
5,5	7,5	11,1	43
7,5	10,0	14,7	49

Max. RPM:

Standard impeller: 3,575 RPM

Reinforced impeller: 2,700 RPM

Operating range:

Air volume: 2,800 – 6,500 m³/h

Pressure: 60 – 320 mm WG

Power supply:

400 V - 50 Hz.

Construction:

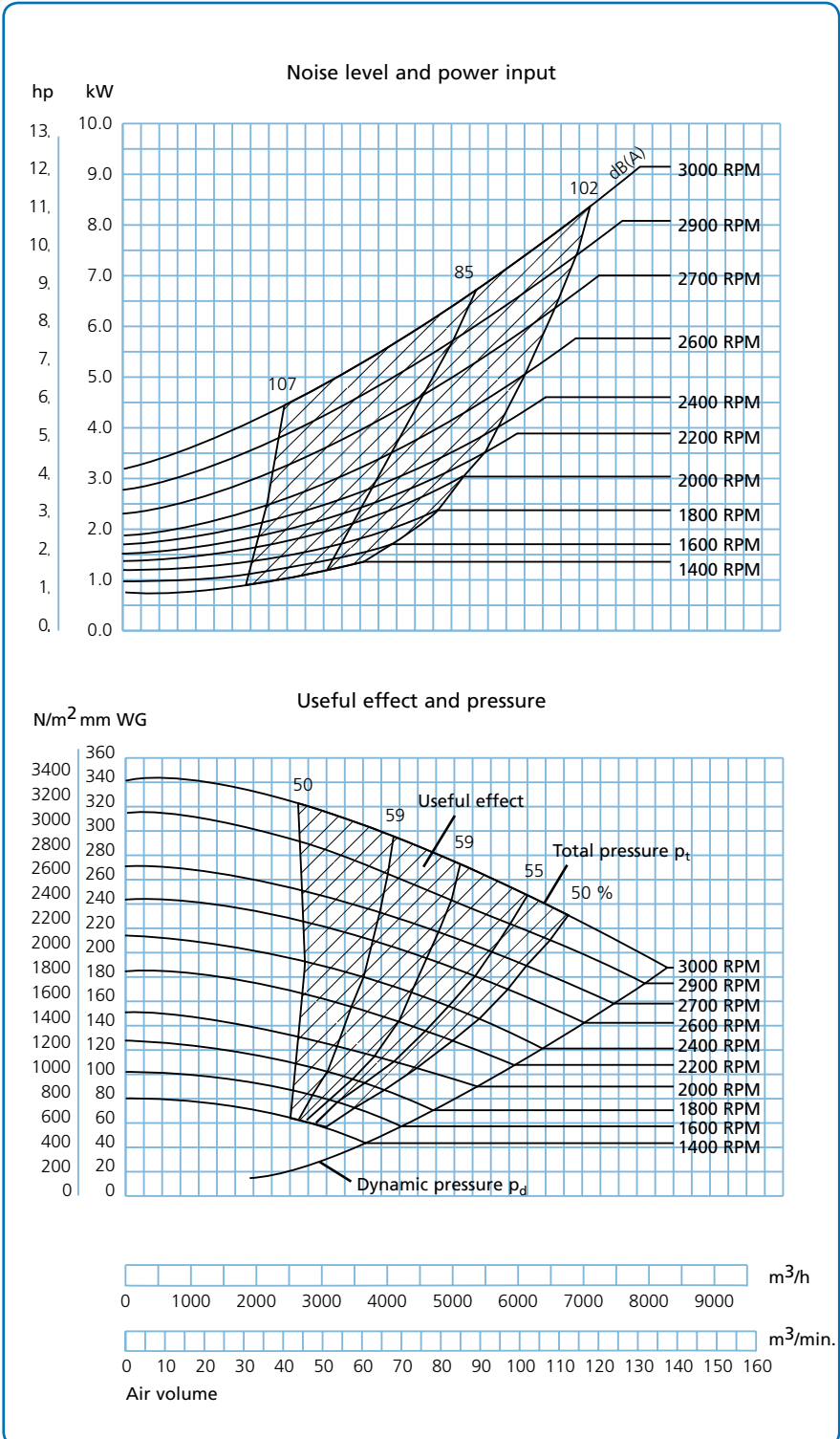
B3 - motor mounted on foot.

Impeller:

No. of blades, standard: 8 pcs.

Diameter: ø410 mm

Height: 154 mm



Fan type JK-40K

Technical data

Technical catalogue: Fan systems
 Section: 02
 Page: 3/6
 Revised: 01.04.2005

Motor: IP 55

Supplied with the following motors:

kW	hp	amp.	Weight of motor kg
11,0	15,0	21,2	69
15,0	20,0	28,2	83

Max. RPM:

Standard impeller: 3,435 RPM

Reinforced impeller: 2,600 RPM

Operating range:

Air volume: 5,000 – 11,000 m³/h

Pressure: 140 – 540 mm WG

Power supply:

400 V - 50 Hz.

Construction:

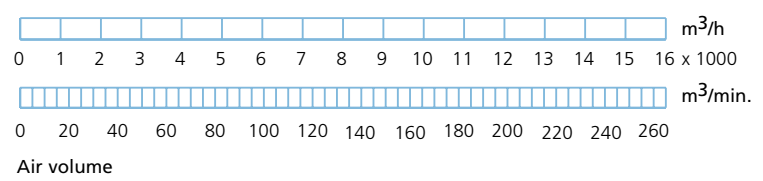
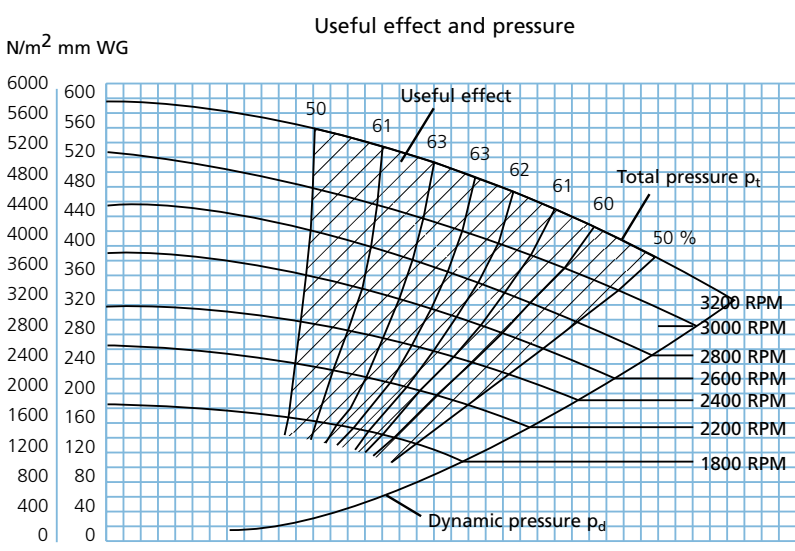
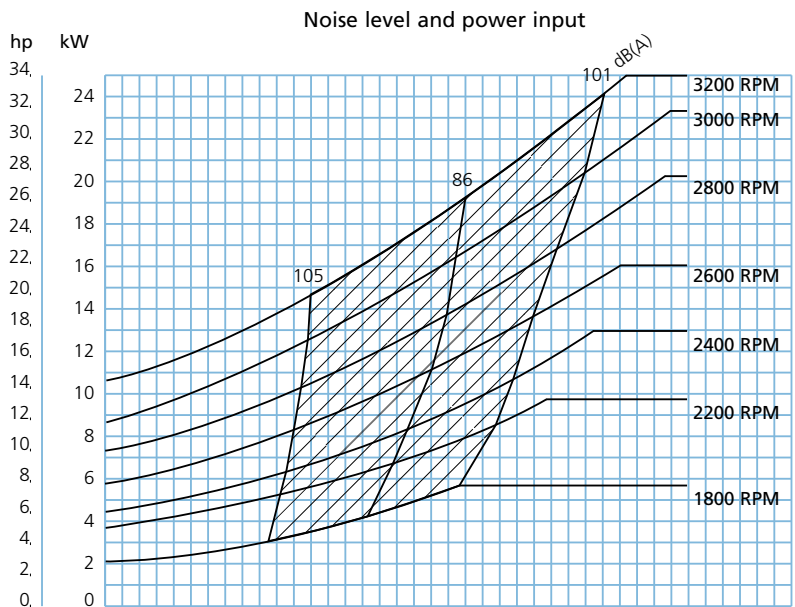
B3 - motor mounted on foot.

Impeller:

No. of blades, standard: 8 pcs.

Diameter: ø500 mm

Height: 189 mm



Fan type JK-45K

Technical data

Technical catalogue: Fan systems
 Section: 02
 Page: 4/6
 Revised: 01.04.2005

Motor: IP 55

Supplied with the following motors:

kW	hp	amp.	Weight of motor kg
18,5	25,0	34,4	87
22,0	30,0	40,0	165
30,0	40,0	52,5	240

Max. RPM:

Standard impeller: 2,450 RPM

Reinforced impeller: 1,850 RPM

Operating range:

Air volume: 6,000 – 20,000 m³/h

Pressure: 180 – 520 mm WG

Power supply:

400 V - 50 Hz.

Construction:

B3 - motor mounted on foot.

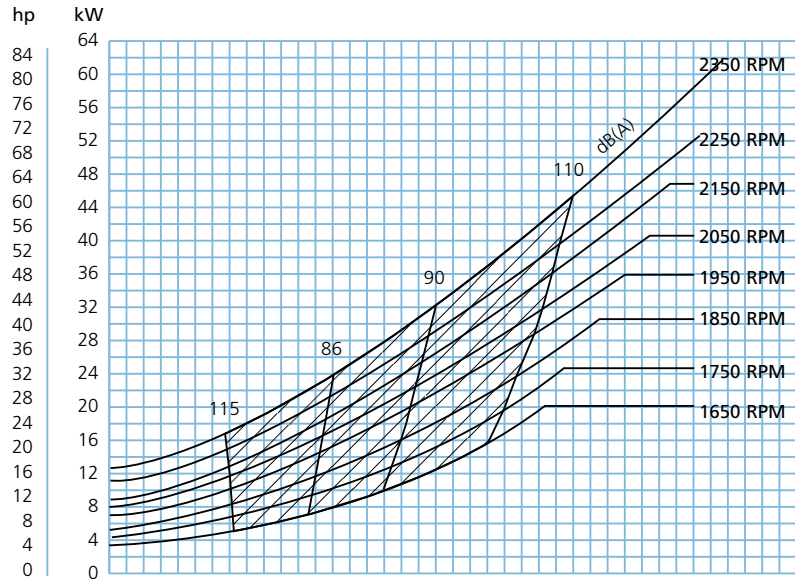
Impeller:

No. of blades, standard: 8 pcs.

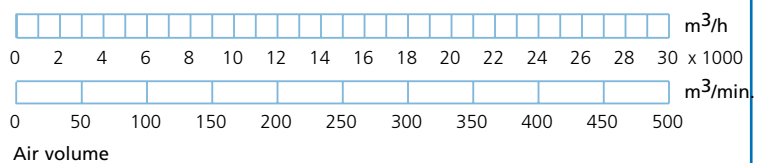
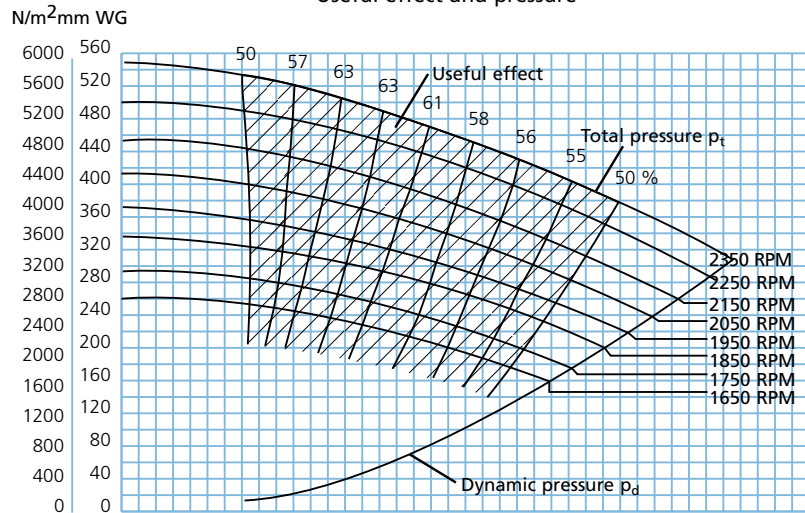
Diameter: ø650 mm

Height: 259 mm

Noise level and power input



Useful effect and pressure



Fan type JK-55K

Technical data

Technical catalogue: Fan systems
 Section: 02
 Page: 5/6
 Revised: 01.04.2005

Motor: IP 55

Supplied with the following motors:

kW	hp	amp.	Weight of motor kg
30,0	40,0	53	230
37,0	50,0	67	300
45,0	60,0	80	330
55,0	75,0	97	435

Max. RPM:

Standard impeller: 2,350 RPM

Reinforced impeller: 1,750 RPM

Operating range:

Air volume: 8,000 – 29,000 m³/h

Pressure: 160 – 600 mm WG

Power supply:

400 V - 50 Hz.

Construction:

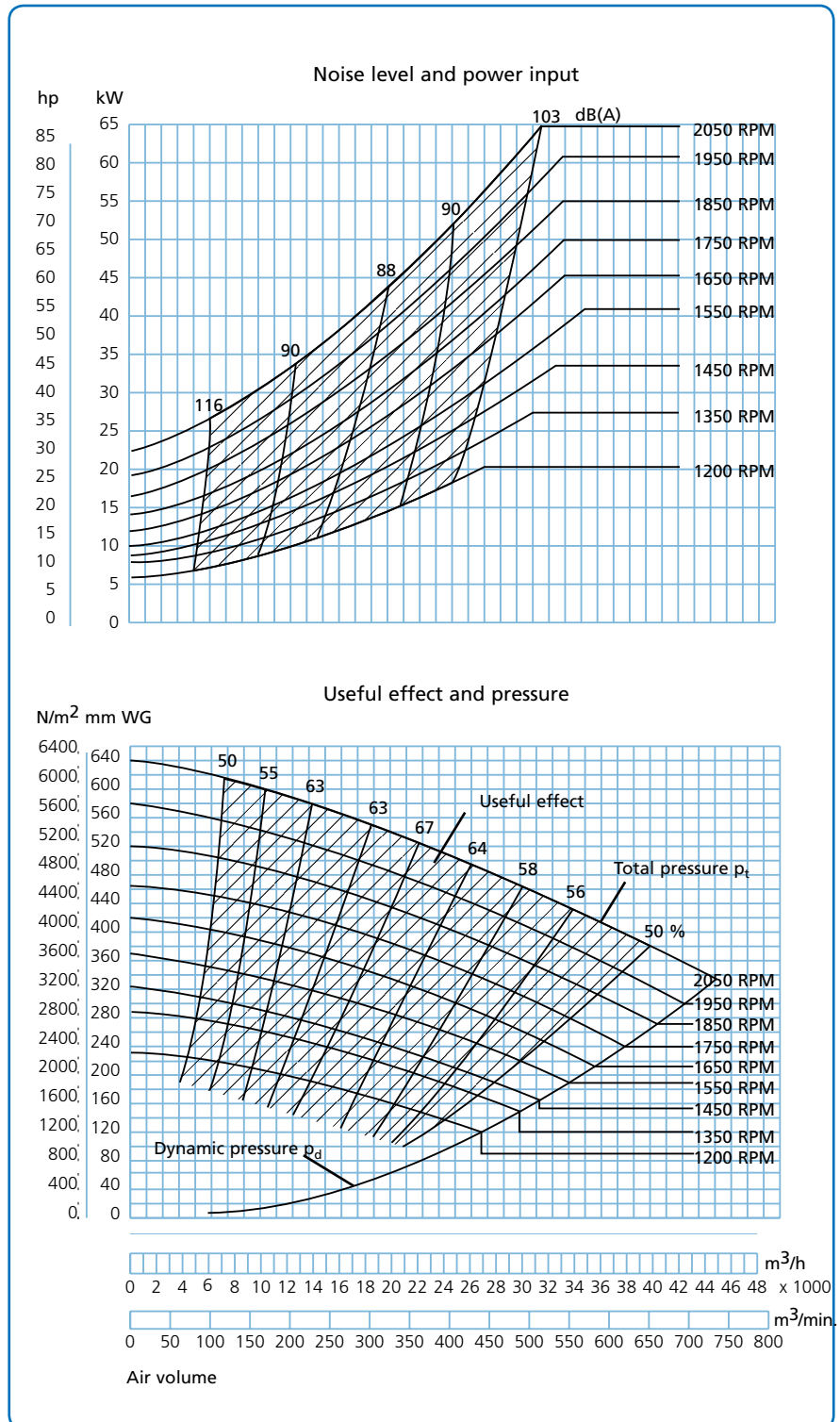
B3 - motor mounted on foot.

Impeller:

No. of blades, standard: 8 pcs.

Diameter: ø800 mm

Height: 320 mm



Fan type JK-75K

Technical data

Technical catalogue: Fan systems
 Section: 02
 Page: 6/6
 Revised: 01.04.2005

Motor: IP 55

Supplied with the following motors:

kW	hp	amp.	Weight of motor kg
55,0	75,0	97,0	435
75,0	103,0	133,0	610

Max. RPM:

Standard impeller: 2,050 RPM

Reinforced impeller: 1,450 RPM

Operating range:

Air volume: 25,000 – 40,000 m³/h

Pressure: 200 – 370 mm WG

Power supply:

400 V - 50 Hz.

Construction:

B3 - motor mounted on foot.

Impeller:

No. of blades, standard: 8 pcs.

Diameter: ø430 mm

Height: 890 mm

