

Fan types JK-30MTD and JK-40MTD

Technical catalogue: Fan systems
 Section: 04
 Page: 1/3
 Revised: 01.04.2005

The direct drive centrifugal fan types JK-30MTD and JK-40MTD are designed for transport of clean air.

Equipped with self-cleaning impellers with backward-inclined blades and aerodynamic intake. The impellers are statically and dynamically balanced.

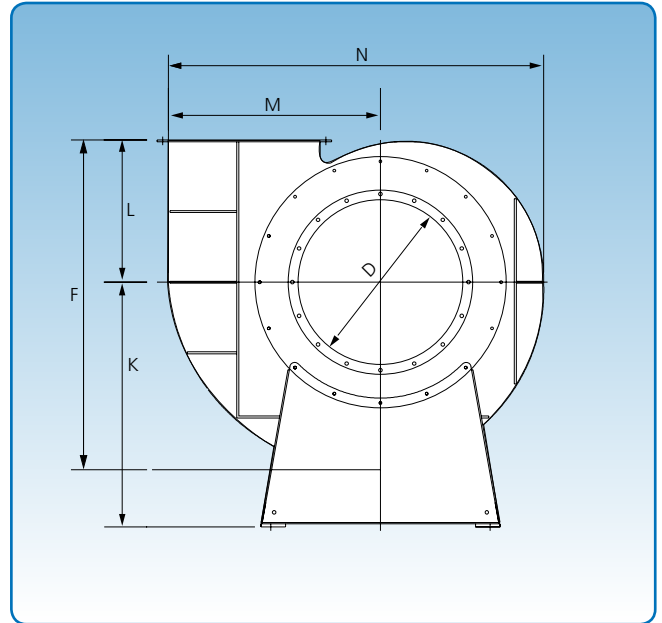
Max. operating temperature: 60°C

Available in anti-spark version with stainless steel inlet and explosion-proof (Ex) motor.

Dimensions (D) for the inlet are external. Supplied with flange as standard.

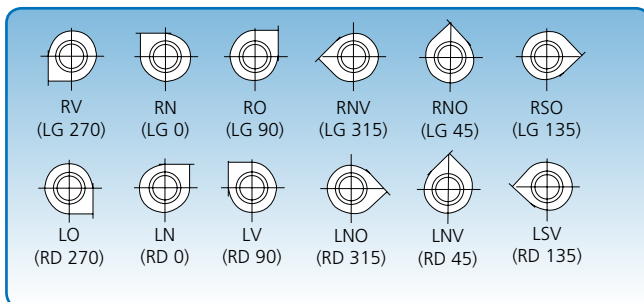
Specific dimensions for the outlet and inlet flanges can be found under "Flanges".

The technical data for each type appears on the following pages.

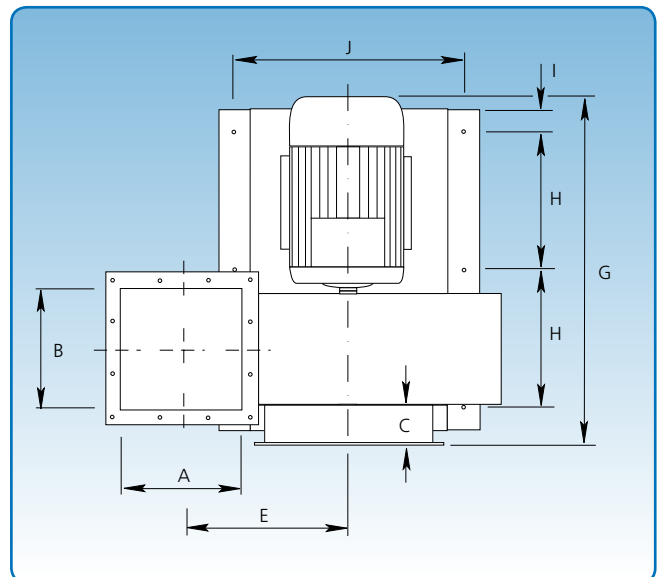


Steel plate dimensions in mm

Type	JK-30MTD - JK-40MTD
Impeller - standard	3
Fan housing - standard	3



6 positions. The position illustrations are viewed from the inlet side.



Type	Dimensions														Weight without motor kg
	A mm	B mm	C mm	D mm	E mm	F mm	G mm	H mm	I mm	J mm	K mm	L mm	M mm	N mm	
JK-30MTD	250	250	75	300	318	650	723	275	50	430	550	275	450	775	131
JK-40MTD	350	350	75	400	368	775	879	370	50	550	650	325	550	925	202

Fan type JK-30MTD

Technical data

Technical catalogue: Fan systems
 Section: 04
 Page: 2/3
 Revised: 01.04.2005

Motor: IP 55

Supplied with the following motors:

kW	hp	amp.	Weight of motor kg
3,0	4,0	6,1	28
4,0	5,5	7,7	39

Max. RPM:

Standard impeller: 3,575 RPM

Operating range:

Air volume: 2,000 – 6,000 m³/h

Pressure: 120 – 240 mm WG

Power supply:

230 V - 50 Hz.

Construction:

B3 - motor mounted on foot.

Variants:

Fan can be powered by flange motor

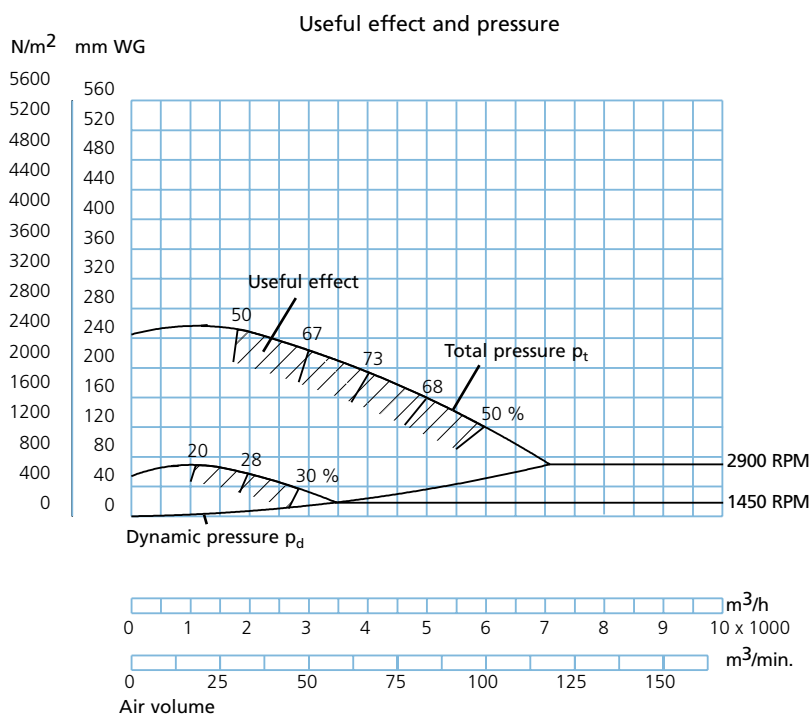
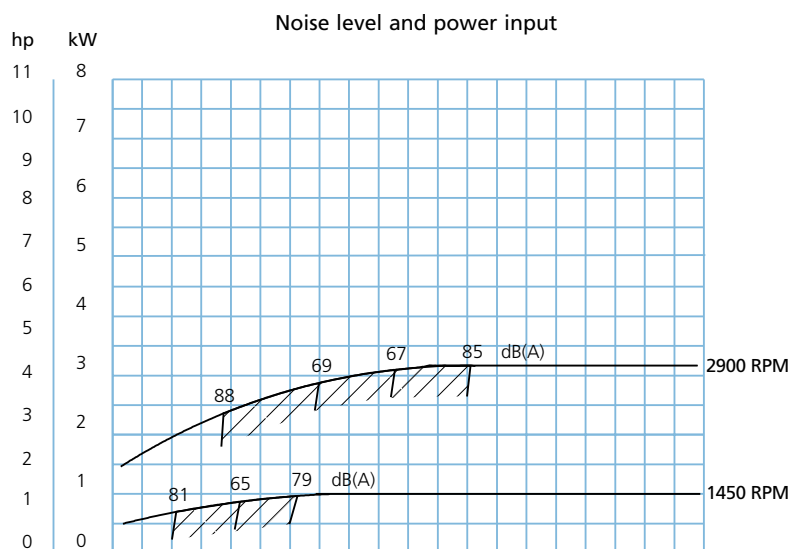
- type B5/B14.

Impeller:

No. of blades, standard: 8 pcs.

Diameter: ø405 mm

Height: 169 mm



Fan type JK-40MTD

Technical data

Technical catalogue: Fan systems
 Section: 04
 Page: 3/3
 Revised: 01.04.2005

Motor: IP 55

Supplied with the following motors:

kW	hp	amp.	Weight of motor kg
11,0	15,0	21,2	69
15,0	20,0	28,2	83
18,5	25,0	34,4	87

Max. RPM:

Standard impeller: 3,435 RPM

Operating range:

Air volume: 2,500 – 14,000 m³/h

Pressure: 120 – 380 mm WG

Power supply:

400 V - 50 Hz.

Construction:

B3 - motor mounted on foot.

Variants:

Fan can be powered by flange motor

- type B5/B14.

Impeller:

No. of blades, standard: 8 pcs.

Diameter: ø505 mm

Height: 209 mm

