

# Fan types T-200K and T-300K

Technical catalogue: Fan systems  
 Section: 03  
 Page: 1/3  
 Revised: 01.04.2005

The indirect drive centrifugal fan types T-200K and T-300K are designed for concentrated material handling over long distances.

Equipped with self-cleaning impellers with backward-inclined blades and aerodynamic intake. The impellers are statically and dynamically balanced.

The pulleys are shaft-mounted with taperlock bushing, allowing easy replacement for changed fan speed.

Max. operating temperature: 60°C  
 With cooling wings: Up to 200°C

Number of blades reduced by 2 for paper impeller.

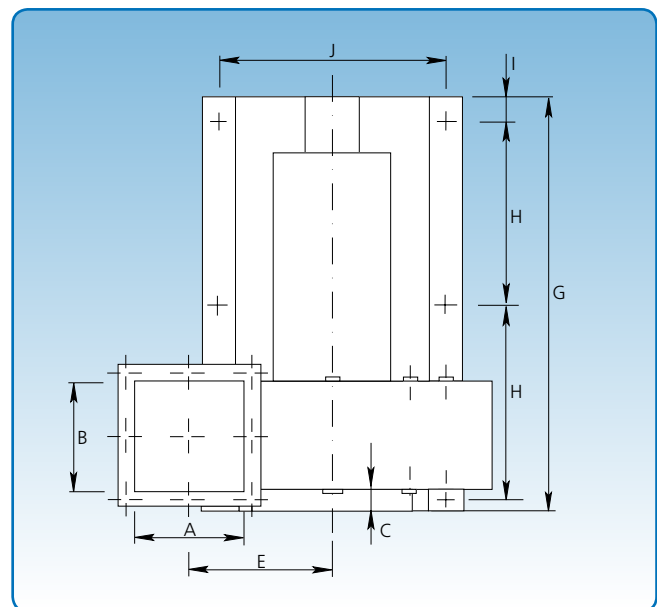
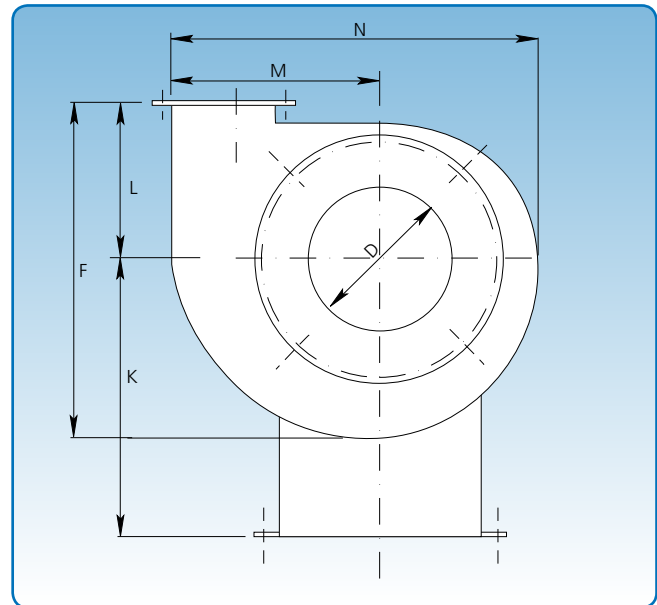
Available in anti-spark version with stainless steel inlet and explosion-proof (Eex) motor.

Dimensions (D) for the inlet are external. Supplied smooth.

Belt drive is anti-static.

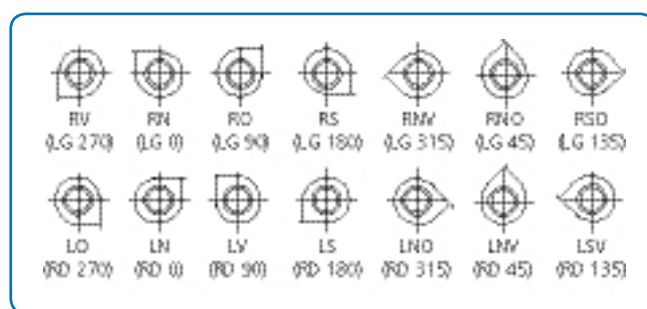
Specific dimensions for the outlet flanges can be found under "Flanges".

The technical data for each type appears on the following pages.



## Steel plate dimensions in mm

Type	T-200K - T-300K
Impeller - standard	5
Impeller - reinforced	8
Fan housing - standard	3
Fan housing - reinforced	8



7 positions. The position illustrations are viewed from the inlet side.

Type	Dimensions														Weight without motor kg
	A mm	B mm	C mm	D mm	E mm	F mm	G mm	H mm	I mm	J mm	K mm	L mm	M mm	N mm	
T-200K	166	166	100	200	357	770	1034	599	55	672	720	370	440	820	217
T-300K	326	226	75	300	380	906	1145	665	55	703	860	418	548	986	315

# Fan type T-200K

## Technical data

Technical catalogue: Fan systems  
 Section: 03  
 Page: 2/3  
 Revised: 01.04.2005

Motor: IP 55

Supplied with the following motors:

kW	hp	amp.	Weight of motor kg
15,0	20,0	27,5	83
18,5	25,0	34,4	87
22,0	30,0	40,0	165

**Max. RPM:**

Standard impeller: 2,900 RPM

Reinforced impeller: 2,250 RPM

**Operating range:**

Air volume: 2,000 – 5,500 m<sup>3</sup>/h

Pressure: 250 – 750 mm WG

**Power supply:**

400 V - 50 Hz.

**Construction:**

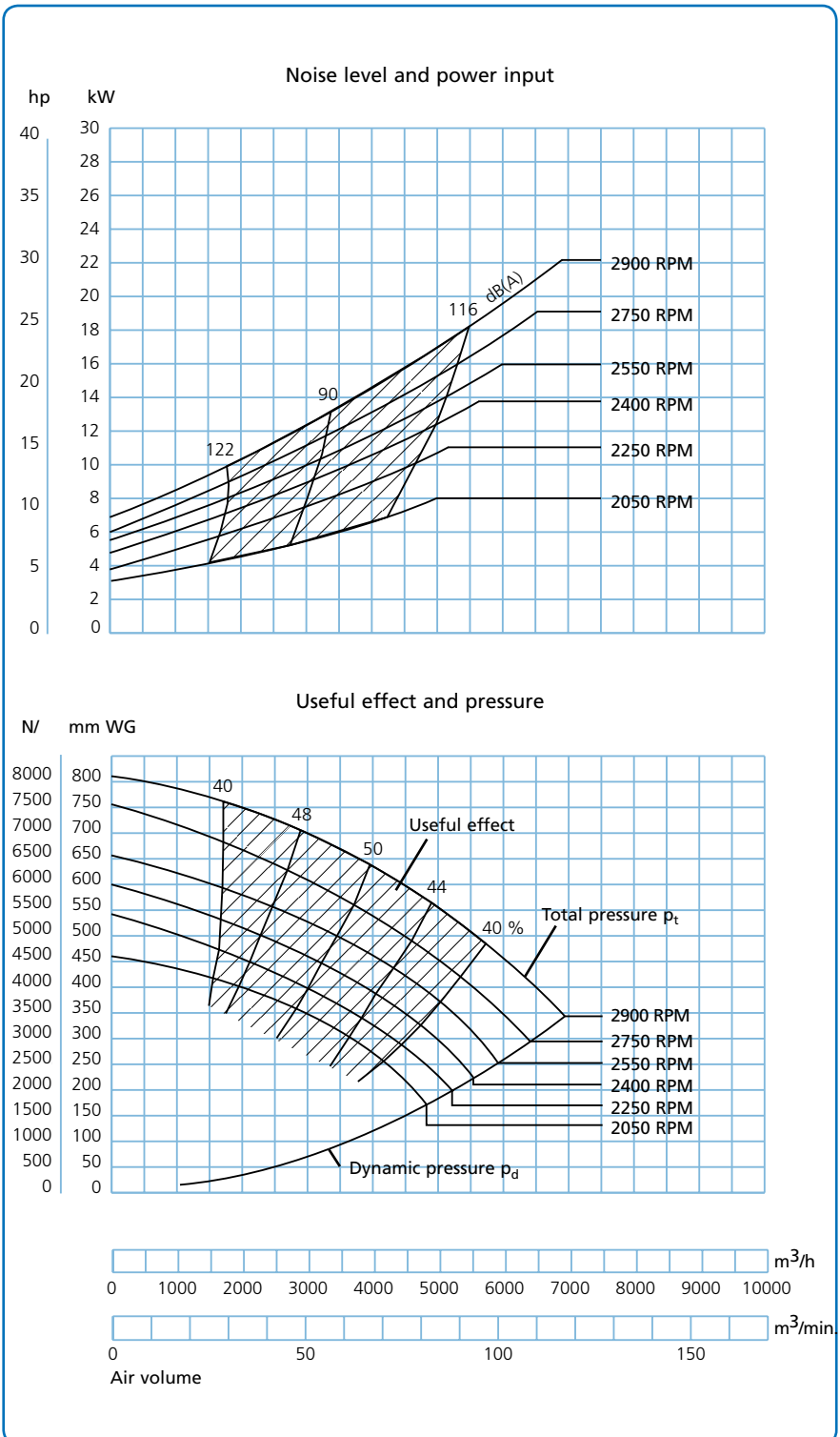
B3 - motor mounted on foot.

**Impeller:**

No. of blades, standard: 8 pcs.

Diameter: ø650 mm

Height: 120 mm



# Fan type T-300K

## Technical data

Technical catalogue: Fan systems  
 Section: 03  
 Page: 3/3  
 Revised: 01.04.2005

Motor: IP 55

Supplied with the following motors:

kW	hp	amp.	Weight of motor kg
22,0	30,0	40	165
30,0	40,0	53	240
37,0	50,0	64	260

### Max. RPM:

Standard impeller: 2,900 RPM

Reinforced impeller: 2,400 RPM

### Operating range:

Air volume: 5,000 – 13,000 m<sup>3</sup>/h

Pressure: 350 – 1,000 mm WG

### Power supply:

400 V - 50 Hz.

### Construction:

B3 - motor mounted on foot.

### Impeller:

No. of blades, standard: 8 pcs.

Diameter:  $\phi$ 130 mm

Height: 765 mm

